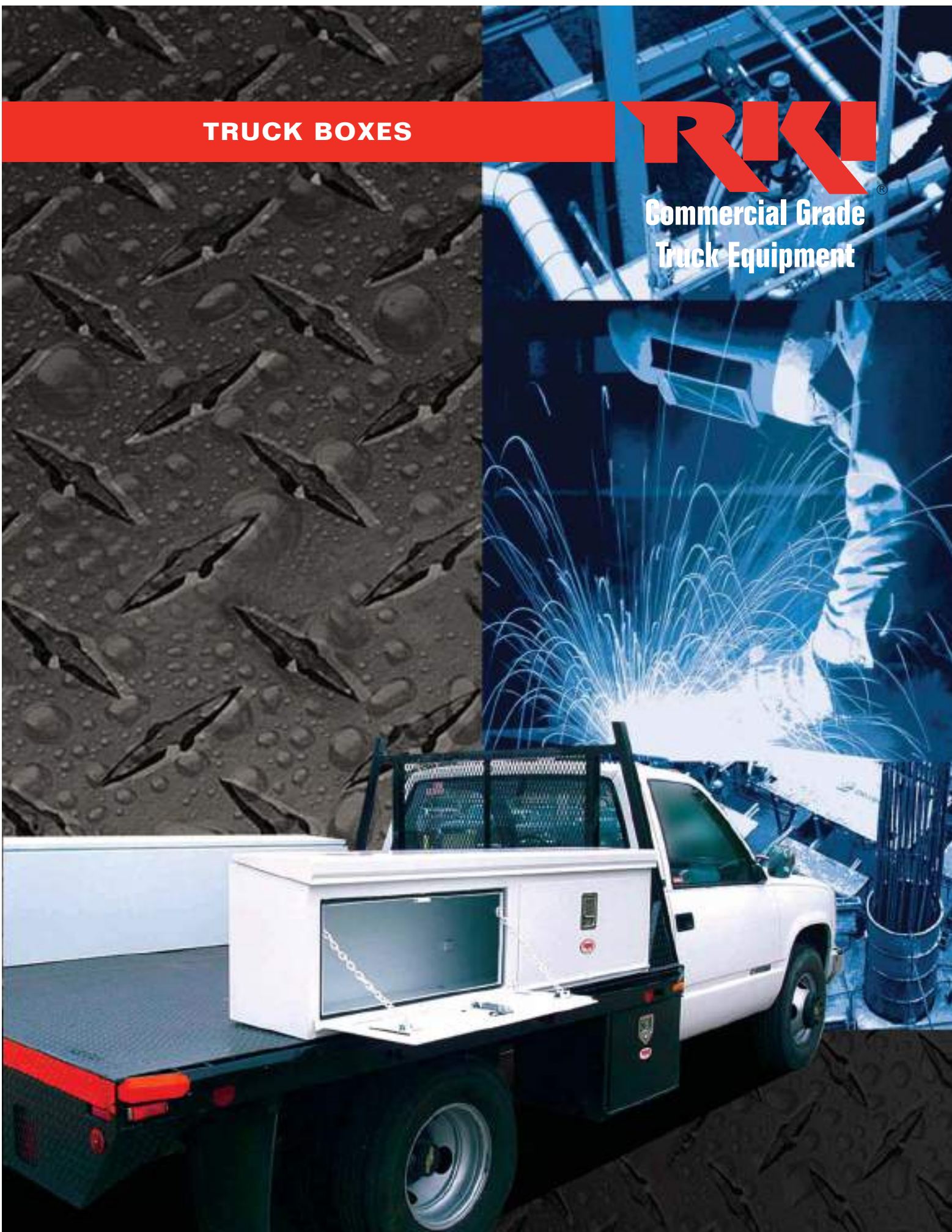


**TRUCK BOXES**

**RIKI**<sup>®</sup>

**Commercial Grade  
Truck Equipment**





FOR YOUR BIGGEST STORAGE CHALLENGE

## The most comprehensive line available anywhere.

When keeping your tools and supplies organized and safe is of utmost importance, you can depend on RKI. Founded in 1911 and still family owned and operated, RKI (formerly known as Rawson-Koenig) manufactures a wide variety of extremely durable, premium quality truck boxes that offer the best value in the truck equipment industry.

Our steel truck boxes are crafted from 14 gauge (minimum) steel with stainless steel hinges and full size stainless steel paddle latches, and come with a tough polyester powder coat finish available in black or white.

RKI aluminum truck boxes use bright diamond treadplate aluminum and have sealed gas shock lid supports. These are also available in black or white powder coat finish.

### WHICH STORAGE SOLUTION IS RIGHT FOR YOU? FIND YOUR ANSWER IN OUR COMPREHENSIVE PRODUCT LINES:

RKI truck boxes are built to withstand tough conditions.

Truck boxes are available in a variety of designs, with side-opening doors, full-length lids and double lids.

Side truck boxes mount along the side of the bed rail with a spring assist lid opening for convenient access. Upper side truck boxes mount above the bed rail or fit any flat application.

Topper compartment boxes are ideal for general applications such as flatbeds or on top of a service body. They can be mounted on any flat surface and also come with spring assist lid openings for convenient access.

H-Series truck boxes are horizontally hinged. V-Series truck boxes are vertically hinged. Both are available in various sizes and door configurations with machine chain door stops and weather-resistant door seals.

Window grilles and ladder racks protect your rear window from accidental breakage and protect your truck's interior from sun damage, while allowing unobstructed visibility. The window grille also combines with our rear grilles to help support ladders and oversized building materials.

No matter which product you choose, we use only the finest materials and workmanship, and we stand by what we sell with the most comprehensive lifetime warranty in the industry.





**STEEL TRUCK BOX FEATURES:**

- 14 Gauge or Thicker Steel Construction
- High Security Stainless Steel Hinges
- Tough Polyester Powder Coat Finish
- Durable Spring Assist Lid Opening on all Top Opening Models
- Full-size Easy to Grab Stainless Steel Paddle Latches

**ALUMINUM TRUCK BOX FEATURES:**

- Rugged Bright Diamond Treadplate Aluminum Hull with Smooth Aluminum Bottom
- Sealed Gas Shock Lid Supports on all Top Opening Models
- Same Dependable Design and Durable Construction as our Steel Truck Boxes

**SPRING ASSIST AND WEATHER TIGHT SEALS**



**GAS SHOCK LID SUPPORTS AND WEATHER TIGHT SEALS**



**FULL-SIZE EASY TO GRAB STAINLESS STEEL PADDLE LATCHES**



**TOUGH POLYESTER POWDER COAT FINISH**





## ST-SERIES - DOUBLE LID CROSSBOXES

Whether you're driving a mini pickup or a full-size truck, RKI ST-Series double lid crossboxes are a smart, weather-resistant storage solution.

- Twin, gull-wing type lids provide easy access from either side of truck - each lid operates independently
- Inside tracks support a sliding tray
- Mounts on the side rail of a pickup truck allowing plenty of room underneath for additional storage
- Steel crossboxes feature stainless steel hinges and full-size stainless steel paddle latches
- Aluminum crossboxes offer bright diamond treadplate and sealed gas shock lid supports
- All steel ST-Series crossboxes are available in black powder coat finish - just add a "B" to the end of the model number
- All aluminum ST-Series crossboxes are available in black or white powder coat finish - just add a "B" to the end of the model number for black or a "W" for white
- Tray ST is standard on all ST-Series crossboxes except ST56U which comes standard with tray SW



ST63A



ST63

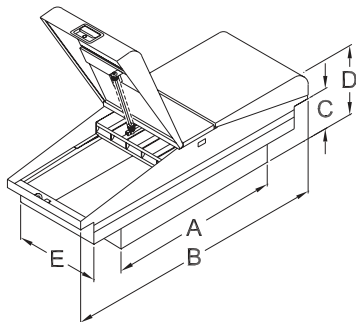


ST63A



ST63

### Double Lid Crossbox Specifications



"D" dimension is with lid closed.

| Model           | A<br>Length | B<br>Overall<br>Length | C<br>Mount<br>Height | D<br>Overall<br>Depth | E<br>Width | Approximate<br>Weight (lbs.) |
|-----------------|-------------|------------------------|----------------------|-----------------------|------------|------------------------------|
| <b>STEEL</b>    |             |                        |                      |                       |            |                              |
| ST56U           | 37 1/2"     | 62 1/2"                | 10 1/4"              | 17"                   | 20"        | 152                          |
| ST63            | 59 3/4"     | 69 1/2"                | 9 5/8"               | 16 1/2"               | 20"        | 175                          |
| ST63W           | 59 3/4"     | 69 1/2"                | 9 5/8"               | 16 1/2"               | 30"        | 219                          |
| ST63WD          | 59 3/4"     | 69 1/2"                | 18"                  | 25"                   | 30"        | 248                          |
| <b>ALUMINUM</b> |             |                        |                      |                       |            |                              |
| ST63A           | 59 3/4"     | 69 3/4"                | 9 5/8"               | 17 1/8"               | 20"        | 88                           |

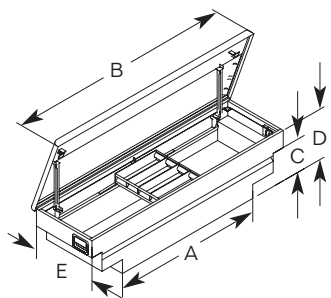


C63AB

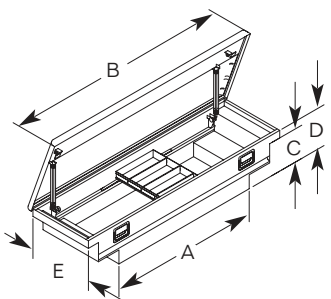


C56LPAW

Single Lid Crossbox Specifications



"D" dimension is with lid closed.



| Model              | A<br>Length | B<br>Overall<br>Length | C<br>Mount<br>Height | D<br>Overall<br>Depth | E<br>Width | Approximate<br>Weight (lbs.) | Standard<br>Tray |
|--------------------|-------------|------------------------|----------------------|-----------------------|------------|------------------------------|------------------|
| <b>STEEL</b>       |             |                        |                      |                       |            |                              |                  |
| C56                | 37 1/2"     | 62 1/2"                | 10 1/4"              | 17 1/4"               | 20"        | 157                          | SW               |
| C63                | 59 3/4"     | 69 7/8"                | 10 1/4"              | 17 1/4"               | 20"        | 178                          | ST               |
| C63D               | 59 3/4"     | 69 7/8"                | 18 1/2"              | 25 1/2"               | 20"        | 205                          | ST               |
| C63S*              | 59 3/4"     | 69 7/8"                | 7"                   | 14"                   | 20"        | 174                          | ST               |
| C63W               | 59 3/4"     | 69 7/8"                | 10 1/4"              | 17 1/4"               | 30"        | 231                          | ST               |
| C63WD              | 59 3/4"     | 69 7/8"                | 18 1/2"              | 25 1/2"               | 30"        | 255                          | ST               |
| <b>ALUMINUM</b>    |             |                        |                      |                       |            |                              |                  |
| C56A               | 37 1/2"     | 62 5/8"                | 10 1/4"              | 17 1/4"               | 20"        | 82                           | SW               |
| C63A               | 59 3/4"     | 70 1/4"                | 10 1/4"              | 17 1/4"               | 20"        | 97                           | ST               |
| C63DA              | 59 3/4"     | 70 1/4"                | 18 1/2"              | 25 1/2"               | 20"        | 104                          | ST               |
| C63SA*             | 59 3/4"     | 70 1/4"                | 7"                   | 14"                   | 20"        | 92                           | ST               |
| C63WA              | 59 3/4"     | 70 1/4"                | 10 1/4"              | 17 1/4"               | 30"        | 124                          | ST               |
| C63WDA             | 59 3/4"     | 70 1/4"                | 18 1/2"              | 25 1/2"               | 30"        | 134                          | ST               |
| C63WSA*            | 59 3/4"     | 70 1/4"                | 7"                   | 14"                   | 30"        | 116                          | ST               |
| <b>LOW PROFILE</b> |             |                        |                      |                       |            |                              |                  |
| <b>STEEL</b>       |             |                        |                      |                       |            |                              |                  |
| C56LP              | 37 1/2"     | 62 1/2"                | 10 1/4"              | 14 1/2"               | 20"        | 146                          | SW               |
| C56LPD             | 37 1/2"     | 62 1/2"                | 13"                  | 17 1/4"               | 20"        | 153                          | SW               |
| C63LP              | 59 3/4"     | 69 7/8"                | 10 1/4"              | 14 1/2"               | 20"        | 170                          | SW               |
| C63LPD             | 59 3/4"     | 69 7/8"                | 13"                  | 17 1/4"               | 20"        | 180                          | SW               |
| <b>ALUMINUM</b>    |             |                        |                      |                       |            |                              |                  |
| C56LPA             | 37 1/2"     | 62 5/8"                | 10 1/4"              | 14 3/4"               | 20"        | 74                           | SW               |
| C56LPDA            | 37 1/2"     | 62 5/8"                | 13"                  | 17 1/4"               | 20"        | 77                           | SW               |
| C63LPA             | 59 3/4"     | 70 1/4"                | 10 1/4"              | 14 3/4"               | 20"        | 86                           | SW               |
| C63LPDA            | 59 3/4"     | 70 1/4"                | 13"                  | 17 1/4"               | 20"        | 90                           | SW               |
| C63LPNA            | 59 3/4"     | 70 1/4"                | 10 1/4"              | 14 3/4"               | 15"        | 70                           | SW               |

- All steel C-Series crossboxes are available in black powder coat finish - just add a "B" to the end of the model number
- All aluminum C-Series crossboxes are available in black or white powder coat finish - just add a "B" to the end of the model number for black or a "W" for white
- TRAY ST is standard on all C-Series crossboxes except C56, C56A, and all low profile models which come standard with TRAY SW

\* Accommodates most alternate fuel tanks.

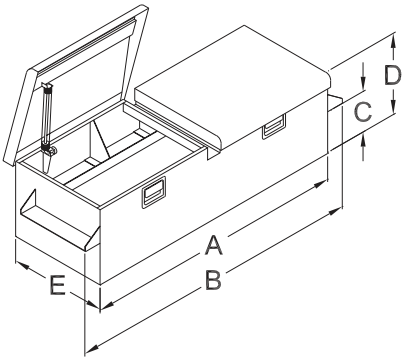
Note: All product specifications are general. Aftermarket accessories such as bedliners may affect the way your product fits. Some short bed pickups cannot accept a window grille and deep crossbox without interference with the wheel wells. Always measure your truck to assure proper fit.



**SINGLE OR DOUBLE LID CHEST STYLE TRUCK BOXES FOR SIDE RAIL OR FLOOR MOUNTING**



| Single or Double Lid Chest Style Truck Box Specifications |             |                        |                      |                       |            |                              |
|---|-------------|------------------------|----------------------|-----------------------|------------|------------------------------|
| Model   | A<br>Length | B<br>Overall<br>Length | C<br>Mount<br>Height | D<br>Overall<br>Depth | E<br>Width | Approximate<br>Weight (lbs.) |
| <b>STEEL</b>  |             |                        |                      |                       |            |                              |
| M45-1NM   | 45"         | 45 7/8"                | N/A                  | 19"                   | 20"        | 131                          |
| M54-1   | 53 1/2"     | 62"                    | 9 3/4"               | 16 1/2"               | 16"        | 129                          |
| M54-1NM   | 53 1/2"     | 54 3/8"                | N/A                  | 16 1/2"               | 16"        | 123                          |
| M54-2   | 53 1/2"     | 62"                    | 9 3/4"               | 16 1/2"               | 16"        | 132                          |
| M54-2NM   | 53 1/2"     | 54 3/8"                | N/A                  | 16 1/2"               | 16"        | 126                          |
| M54U-1NM*   | 54"         | 54 5/8"                | N/A                  | 18 7/8"               | 20"        | 133                          |
| M58U-1NM*   | 58"         | 58 5/8"                | N/A                  | 18 7/8"               | 20"        | 144                          |
| M60-1   | 60"         | 69"                    | 11 3/4"              | 19"                   | 20"        | 178                          |
| M60-1NM   | 60"         | 60 7/8"                | N/A                  | 19"                   | 20"        | 168                          |
| M60-2   | 60"         | 69"                    | 11 3/4"              | 19"                   | 20"        | 180                          |
| M60-2NM   | 60"         | 60 7/8"                | N/A                  | 19"                   | 20"        | 171                          |
| M60FW-1NM*  | 60"         | 60 7/8"                | N/A                  | 19"                   | 23"        | 164                          |
| M60SB-1NM*  | 48"         | 60 7/8"                | N/A                  | 19"                   | 23"        | 172                          |
| MTB60-1NM*  | 60"         | 60 7/8"                | N/A                  | 24"                   | 23"        | 182                          |
| <b>ALUMINUM</b>   |             |                        |                      |                       |            |                              |
| M36-1NMA  | 36"         | 37"                    | N/A                  | 16"                   | 16"        | 39                           |
| M45-1NMA  | 45 1/4"     | 46 3/8"                | N/A                  | 19"                   | 20 7/8"    | 67                           |
| M54U-1NMA*  | 54"         | 55"                    | N/A                  | 19 1/8"               | 20"        | 67                           |
| M58U-1NMA*  | 58"         | 59"                    | N/A                  | 19 1/8"               | 20"        | 71                           |
| M60FW-1NMA*   | 60"         | 61 1/8"                | N/A                  | 19"                   | 23"        | 86                           |
| M60SB-1NMA*   | 48"         | 61 1/8"                | N/A                  | 19"                   | 23"        | 82                           |
| MTB60-1NMA*   | 60"         | 61 1/8"                | N/A                  | 24"                   | 23"        | 91                           |



"D" dimension is with lid closed.

- All steel M-Series truck boxes are available in black powder coat finish – just add a "B" to the end of the model number
- All aluminum M-Series truck boxes are available in black or white powder coat finish – just add a "B" to the end of the model number for black or a "W" for white
- "-1" Single Lid
- "-2" Double Lid
- "-1NM" Single Lid no mounts, for floor mounting
- "-2NM" Double Lid no mounts, for floor mounting
- \* Sliding TRAY M Optional, **please specify at time of order**

## S-SERIES - SIDE TRUCK BOXES

Top-opening side truck boxes, with optional trays available to help organize your tools and equipment.

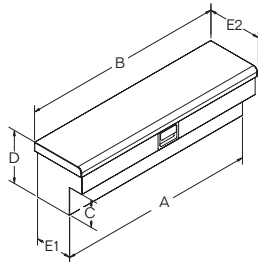
- TRAY STS or TRAY SW optional on all S-Series truck boxes except low profile models
- All S-Series truck boxes have mounting brackets included
- Mounts on the side rail of your pickup truck, leaving truck bed open for maximum storage space
- Weather-resistant seals resist dirt and moisture for the most extreme working conditions



61SB

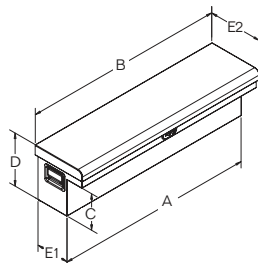
### S-Series - Side Truck Box Specifications

|                              | A      | B              | C            | D             | E1 - E2       |                           |                    |
|------------------------------|--------|----------------|--------------|---------------|---------------|---------------------------|--------------------|
| Model                        | Length | Overall Length | Mount Height | Overall Depth | Width         | Approximate Weight (lbs.) | Application        |
| <b>STEEL</b>                 |        |                |              |               |               |                           |                    |
| 43S                          | 43"    | 43 3/4"        | 6"           | 13"           | 8" - 13"      | 75                        | All Pickups        |
| 43SW                         | 43"    | 43 3/4"        | 6"           | 13"           | 13" - 18"     | 93                        | All Pickups        |
| 50S                          | 50"    | 50 3/4"        | 6"           | 13"           | 8" - 13"      | 83                        | All Pickups        |
| 50SW                         | 50"    | 50 3/4"        | 6"           | 13"           | 13" - 18"     | 102                       | All Pickups        |
| 61S                          | 61"    | 61 3/4"        | 6"           | 13"           | 8" - 13"      | 99                        | All Pickups        |
| 67S                          | 67"    | 67 3/4"        | 6"           | 13"           | 8" - 13"      | 107                       | All Pickups        |
| 67SW                         | 67"    | 67 3/4"        | 6"           | 13"           | 13" - 18"     | 133                       | All Pickups        |
| 88S*                         | 88"    | 88 3/4"        | 6"           | 13"           | 8" - 13"      | 139                       | Full Size Long Bed |
| 88SW*                        | 88"    | 88 3/4"        | 6"           | 13"           | 13" - 18"     | 173                       | Full Size Long Bed |
| <b>ALUMINUM</b>              |        |                |              |               |               |                           |                    |
| 43SA                         | 43"    | 44 1/8"        | 6 1/8"       | 13 1/8"       | 8" - 13"      | 42                        | All Pickups        |
| 50SA                         | 50"    | 51 1/8"        | 6 1/8"       | 13 1/8"       | 8" - 13"      | 45                        | All Pickups        |
| 61SA                         | 61"    | 62 1/8"        | 6 1/8"       | 13 1/8"       | 8" - 13"      | 53                        | All Pickups        |
| 61SWA                        | 61"    | 62 1/8"        | 6 1/8"       | 13 1/8"       | 13" - 18"     | 64                        | All Pickups        |
| 67SA                         | 67"    | 68 1/8"        | 6 1/8"       | 13 1/8"       | 8" - 13"      | 57                        | All Pickups        |
| 67SWA                        | 67"    | 68 1/8"        | 6 1/8"       | 13 1/8"       | 13" - 18"     | 71                        | All Pickups        |
| <b>LOW PROFILE</b>           |        |                |              |               |               |                           |                    |
| <b>STEEL</b>                 |        |                |              |               |               |                           |                    |
| 43SLP                        | 43"    | 43 3/4"        | 8 3/4"       | 13"           | 8" - 13"      | 69                        | All Pickups        |
| 48SLP                        | 48"    | 48 3/4"        | 8 3/4"       | 13"           | 8" - 13"      | 74                        | All Pickups        |
| 61SLP                        | 61"    | 61 3/4"        | 8 3/4"       | 13"           | 8" - 13"      | 92                        | All Pickups        |
| 65SLP                        | 65"    | 65 3/4"        | 8 3/4"       | 13"           | 8" - 13"      | 97                        | All Pickups        |
| <b>ALUMINUM</b>              |        |                |              |               |               |                           |                    |
| 43SLPA                       | 43"    | 44 1/8"        | 8 3/4"       | 13 1/8"       | 8" - 13 3/8"  | 35                        | All Pickups        |
| 48SLPA                       | 48"    | 49 1/8"        | 8 3/4"       | 13 1/8"       | 8" - 13 3/8"  | 38                        | All Pickups        |
| 61SLPA                       | 61"    | 62 1/8"        | 8 3/4"       | 13 1/8"       | 8" - 13 3/8"  | 46                        | All Pickups        |
| 65SLPA                       | 65"    | 66 1/8"        | 8 3/4"       | 13 1/8"       | 8" - 13 3/8"  | 48                        | All Pickups        |
| <b>LOW PROFILE WIDE SIDE</b> |        |                |              |               |               |                           |                    |
| <b>STEEL</b>                 |        |                |              |               |               |                           |                    |
| 43SLPW                       | 43"    | 43 3/4"        | 8 3/4"       | 13"           | 13" - 18"     | 99                        | All Pickups        |
| 48SLPW                       | 48"    | 48 3/4"        | 8 3/4"       | 13"           | 13" - 18"     | 109                       | All Pickups        |
| 61SLPW                       | 61"    | 61 3/4"        | 8 3/4"       | 13"           | 13" - 18"     | 129                       | All Pickups        |
| 65SLPW                       | 65"    | 65 3/4"        | 8 3/4"       | 13"           | 13" - 18"     | 134                       | All Pickups        |
| <b>ALUMINUM</b>              |        |                |              |               |               |                           |                    |
| 43SLPWA                      | 43"    | 44 1/8"        | 8 3/4"       | 13 1/8"       | 13" - 18 3/8" | 48                        | All Pickups        |
| 48SLPWA                      | 48"    | 49 1/8"        | 8 3/4"       | 13 1/8"       | 13" - 18 3/8" | 54                        | All Pickups        |
| 61SLPWA                      | 61"    | 62 1/8"        | 8 3/4"       | 13 1/8"       | 13" - 18 3/8" | 65                        | All Pickups        |
| 65SLPWA                      | 65"    | 66 1/8"        | 8 3/4"       | 13 1/8"       | 13" - 18 3/8" | 70                        | All Pickups        |



"D" dimension is with lid closed.

\* 2 lids.



"D" dimension is with lid closed.





**STS-SERIES - SIDE TRUCK BOXES**

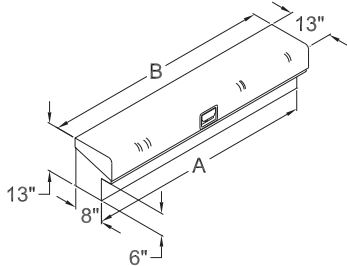
Angled lids and built in small parts tray on the STS-Series provides easy and secure access to the valuable tools of your trade.

- TRAY STS standard on all STS-Series truck boxes
- All STS-Series truck boxes have mounting brackets included



**61STS**

| STS Series - Side Truck Box Specifications |          |                  |                           |             |
|--|----------|------------------|---------------------------|-------------|
| Model                                      | A Length | B Overall Length | Approximate Weight (lbs.) | Application |
| <b>STEEL</b>                               |          |                  |                           |             |
| 50STS                                      | 50"      | 50 1/2"          | 86                        | All Pickups |
| 61STS                                      | 61"      | 61 1/2"          | 102                       | All Pickups |
| 67STS                                      | 67"      | 67 1/2"          | 108                       | All Pickups |



- All steel S and STS-Series truck boxes are available in black powder coat finish – just add a “B” to the end of the model number
- All aluminum S-Series truck boxes are available in black or white powder coat finish – just add a “B” to the end of the model number for black or a “W” for white

**RKI FLOOR DRAWERS - QUALITY PLUS MAXIMUM FLEXIBILITY IN 4 DRAWER SIZES**



**FD301024**

- 14 ga. or thicker steel construction
- Full size easy to grab paddle latch
- Entire unit is fully covered with a tough polyester powder coat finish
- Drawers are easily removable and glide on heavy duty sealed roller bearings
- 360 degree sealing around drawer opening
- Anti slip strips are factory installed on top of unit for added traction
- Quick and easy installation – drawer removal is not necessary for mounting
- 1,200 lb. top load weight rating. (evenly dist.)

| Model     | A Length | B Height | C Depth | Weight (lbs.) |
|-----------|----------|----------|---------|---------------|
| FD301024  | 30 1/4"  | 11 5/8"  | 24 5/8" | 153           |
| FD301024B | 30 1/4"  | 11 5/8"  | 24 5/8" | 153           |
| FD301048  | 30 1/4"  | 11 5/8"  | 48 5/8" | 248           |
| FD301048B | 30 1/4"  | 11 5/8"  | 48 5/8" | 248           |
| FD401024  | 40 1/4"  | 11 5/8"  | 24 5/8" | 186           |
| FD401024B | 40 1/4"  | 11 5/8"  | 24 5/8" | 186           |
| FD401048  | 40 1/4"  | 11 5/8"  | 48 5/8" | 290           |
| FD401048B | 40 1/4"  | 11 5/8"  | 48 5/8" | 290           |

\* All dimensions include drip rail and door.

- Drawers are slotted on 2" centers
- 2 full length dividers slotted on 2" centers
- Cross dividers may be easily added or removed for storing large or small items
  - 24" deep units include 6 cross dividers
  - 48" deep units include 12 cross dividers
- For optimal storage space, full length dividers may be removed



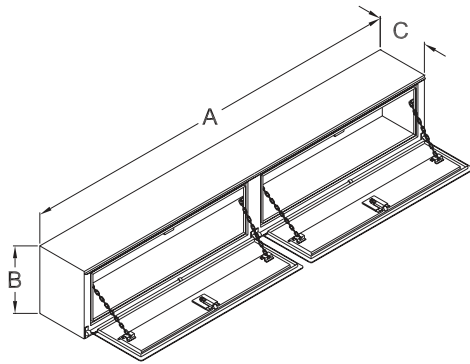
## UPPER SIDE TRUCK BOXES

- US-Series truck boxes fit any flat (weld or bolt-on) application and can be used as pickup side boxes
- US-Series truck boxes have mounting brackets included
- US-Series truck boxes are designed with a drip rail, channel drain, full perimeter seal support channel and knife edge to compress the door seal, producing no seal interruption at the door latch
- Tray US optional



US78CB

### Upper Side Truck Box Specifications



| Model           | A<br>Length | B<br>Height | C<br>Depth | Number of Doors | Approximate Weight (lbs.) |
|-----------------|-------------|-------------|------------|-----------------|---------------------------|
| <b>STEEL</b>    |             |             |            |                 |                           |
| US48C           | 48"         | 16 1/2"     | 12 1/2"    | 1               | 98                        |
| US72C           | 72"         | 16 1/2"     | 12 1/2"    | 2               | 138                       |
| US78C           | 78"         | 16 1/2"     | 12 1/2"    | 2               | 150                       |
| US90C           | 90"         | 16 1/2"     | 12 1/2"    | 2               | 168                       |
| US96C           | 96"         | 16 1/2"     | 12 1/2"    | 2               | 176                       |
| <b>ALUMINUM</b> |             |             |            |                 |                           |
| US48A           | 48"         | 16 1/2"     | 12 1/2"    | 1               | 47                        |
| US72A           | 72"         | 16 1/2"     | 12 1/2"    | 2               | 68                        |
| US90A           | 90"         | 16 1/2"     | 12 1/2"    | 2               | 82                        |
| US96A           | 96"         | 16 1/2"     | 12 1/2"    | 2               | 87                        |

- All steel US-Series truck boxes are available in black powder coat finish – just add a "B" to the end of the model number
- All aluminum US-Series truck boxes are available in black or white powder coat finish – just add a "B" to the end of the model number for black or a "W" for white

## TOPPER COMPARTMENT BOXES

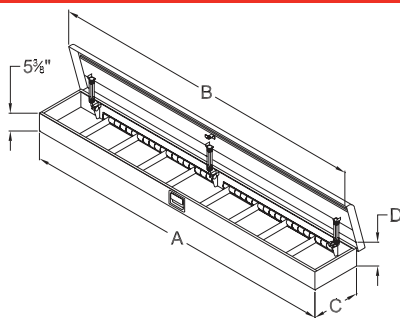
### TOPPER COMPARTMENT BOXES

Complement your flatbed or service body with an RKI topper compartment box. These conveniently sized steel boxes are perfect for organizing and protecting parts, tools and equipment.



TC9614

### Topper Compartment Box Specifications



"D" dimension is with lid closed.

| Model        | A<br>Length | B<br>Overall Length | C<br>Width | D<br>Overall Height | Approximate Weight (lbs.) |
|--------------|-------------|---------------------|------------|---------------------|---------------------------|
| <b>STEEL</b> |             |                     |            |                     |                           |
| TC10814      | 108"        | 108 3/4"            | 14 1/2"    | 7"                  | 165                       |
| TC10820      | 108"        | 108 3/4"            | 20"        | 7"                  | 195                       |
| TC9614       | 96"         | 96 3/4"             | 14 1/2"    | 7"                  | 149                       |
| TC9620       | 96"         | 96 3/4"             | 20"        | 7"                  | 176                       |

- All TC-Series boxes are available in black powder coat finish – just add a "B" to the end of the model number

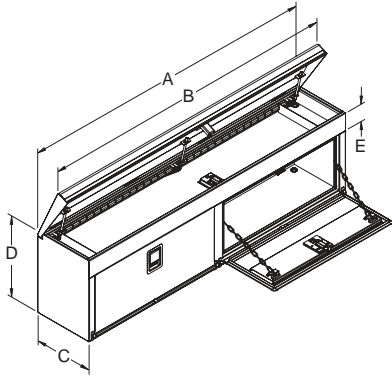


## UST-SERIES TRUCK BOXES

Ideal for welding trucks, flatbeds, and equipment trailers.

- UST-Series truck boxes fit any flat (weld or bolt-on) application
- 8 dividers included for top compartment
- Lower compartments designed with a drip rail, channel drain, full perimeter seal support channel and knife edge to compress the door seal, producing no seal interruption at the door latch
- Tray US optional

| Top-Opening Upper Side Truck Box Specifications |        |                |         |                |                 |                 |                           |  |
|---|--------|----------------|---------|----------------|-----------------|-----------------|---------------------------|--|
|   | A      | B              | C       | D              | E               | Number of Doors | Approximate Weight (lbs.) |  |
| Model   | Length | Overall Length | Width   | Overall Height | Top Tray Height |                 |                           |  |
| <b>STEEL</b>                                    |        |                |         |                |                 |                 |                           |  |
| UST48C  | 48"    | 48 1/2"        | 14 1/2" | 20"            | 4 1/2"          | 1               | 151                       |  |
| UST60C  | 60"    | 60 1/2"        | 14 1/2" | 20"            | 4 1/2"          | 2               | 188                       |  |
| UST72C  | 72"    | 72 1/2"        | 14 1/2" | 20"            | 4 1/2"          | 2               | 226                       |  |
| UST90C  | 90"    | 90 1/2"        | 14 1/2" | 20"            | 4 1/2"          | 2               | 261                       |  |
| UST96C  | 96"    | 96 1/2"        | 14 1/2" | 20"            | 4 1/2"          | 2               | 287                       |  |
| <b>ALUMINUM</b>                                 |        |                |         |                |                 |                 |                           |  |
| UST72A  | 72"    | 72 1/2"        | 14 1/2" | 20"            | 4 1/2"          | 2               | 107                       |  |
| UST96A  | 96"    | 96 1/2"        | 14 1/2" | 20"            | 4 1/2"          | 2               | 142                       |  |



"D" dimension is with lid closed.



UST96C

- All steel UST-Series truck boxes are available in black powder coat finish – just add a "B" to the end of the model number
- All aluminum UST-Series truck boxes are available in black or white powder coat finish – just add a "B" to the end of the model number for black or a "W" for white

## H-SERIES TRUCK BOXES

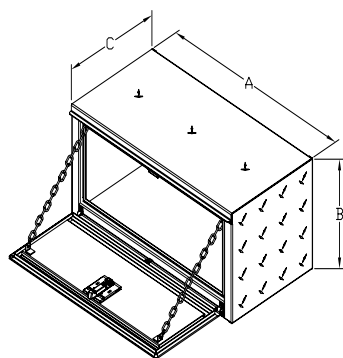
Arrange your storage solution exactly as your business requires with this flexible and scalable family of truck boxes.

- Horizontally hinged H-Series truck boxes give you a full view of the entire box's contents when its front door is opened
- Can be bolted or welded together on the truck bed in a variety of arrangements
- Designed with a drip rail, channel drain, full perimeter seal support channel and knife edge to compress the door seal, producing no seal interruption at the door latch
- Combine with V-Series truck boxes for the most comprehensive storage solutions anywhere



H361818A

### H-Series Truck Box Specifications



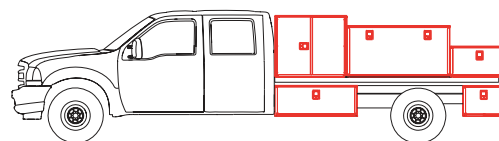
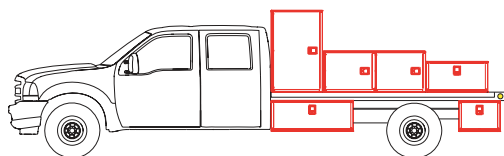
#### H-SERIES MODEL NUMBER DESIGNATION

H-Series truck boxes are 14 gauge boxes with 14 gauge double panel doors. They are horizontally hinged with the A, B, and C dimensions called out in that order after the hinge designation. H-Series boxes with 2 doors are designated by "-2" after the model number. 12 gauge boxes with 14 gauge doors have a "12" in front of the model number. 10 gauge boxes have a "10" in front of the model number. 10 gauge boxes have 3-point, T-handle latches. All H-Series steel truck boxes come in a black polyester powder coat finish.

|   | Model     | A<br>Length | B<br>Height | C<br>Depth | Number<br>of Doors | Approximate<br>Weight (lbs.) |
|---|-----------|-------------|-------------|------------|--------------------|------------------------------|
| <b>STEEL</b>  |           |             |             |            |                    |                              |
| 10 Gauge Boxes,<br>14 Gauge<br>Reinforced Door<br>(3-Point<br>T-Handle) | 10H241818 | 24"         | 18"         | 18"        | 1                  | 105                          |
|   | 10H361818 | 36"         | 18"         | 18"        | 1                  | 141                          |
|   | 10H481818 | 48"         | 18"         | 18"        | 1                  | 176                          |
|   | 10H601818 | 60"         | 18"         | 18"        | 1                  | 209                          |
| 12 Gauge Boxes,<br>14 Gauge Double<br>Panel Door                        | 12H241818 | 24"         | 18"         | 18"        | 1                  | 76                           |
|   | 12H361818 | 36"         | 18"         | 18"        | 1                  | 109                          |
|   | 12H481818 | 48"         | 18"         | 18"        | 1                  | 140                          |
| 14 Gauge Boxes,<br>14 Gauge Double<br>Panel Door                        | 12H601818 | 60"         | 18"         | 18"        | 1                  | 166                          |
|   | H181818   | 18"         | 18"         | 18"        | 1                  | 58                           |
|   | H241412   | 24"         | 14"         | 12"        | 1                  | 47                           |
|   | H241416   | 24"         | 14"         | 16"        | 1                  | 54                           |
|   | H241818   | 24"         | 18"         | 18"        | 1                  | 64                           |
|   | H301412   | 30"         | 14"         | 12"        | 1                  | 58                           |
|   | H301416   | 30"         | 14"         | 16"        | 1                  | 63                           |
|   | H301612   | 30"         | 16"         | 12"        | 1                  | 61                           |
|   | H301818   | 30"         | 18"         | 18"        | 1                  | 77                           |
|   | H361416   | 36"         | 14"         | 16"        | 1                  | 73                           |
|   | H361612   | 36"         | 16"         | 12"        | 1                  | 70                           |
|   | H361818   | 36"         | 18"         | 18"        | 1                  | 87                           |
|   | H421818   | 42"         | 18"         | 18"        | 1                  | 99                           |
| H481818   | 48"       | 18"         | 18"         | 1          | 110                |                              |
| H601818   | 60"       | 18"         | 18"         | 1          | 133                |                              |
| <b>ALUMINUM</b>   |           |             |             |            |                    |                              |
| .100 Aluminum<br>Treadplate<br>Boxes,                                   | H241818A  | 24"         | 18"         | 18"        | 1                  | 38                           |
|   | H361818A  | 36"         | 18"         | 18"        | 1                  | 51                           |
| .100 Aluminum<br>Reinforced<br>Door                                     | H481818A  | 48"         | 18"         | 18"        | 1                  | 64                           |
|   | H601818A  | 60"         | 18"         | 18"        | 1                  | 77                           |

## H & V-SERIES TRUCK BOX TYPICAL APPLICATIONS

These drawings reflect the versatility of our H and V-Series truck boxes. Drawings show H and V-Series boxes in combination.



- For no additional charge, H-Series truck boxes are available in a white powder coat finish – just order "PAINTCSTWHT" with your H-Series truck box
- All aluminum H-Series truck boxes are available in black or white powder coat finish – just add a "B" to the end of the model number for black or a "W" for white



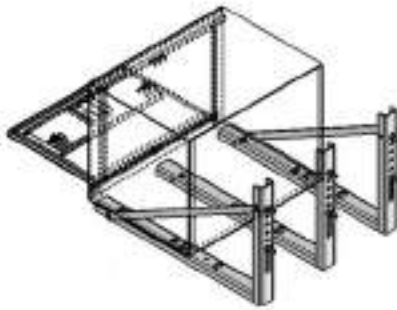
**ADDITIONAL H-SERIES TRUCK BOXES**

The models listed on this page are not always carried in stock. Please expect longer lead times. Having these as standard items allows us to offer you what is custom to other manufacturers.

- RKI recommends mounting all underbody truck boxes with saddle type brackets
- For no additional charge, H-Series truck boxes are available in a white powder coat finish – just order "PAINTCSTWHT" with your H-Series truck box



**H-Series Truck Box Specifications**



**H-SERIES MOUNTING BRACKETS**

H-Series Mounting Brackets are available in 3 lengths measured from the outside frame to the outside edge of the box. The available sizes are: 19", 25", and 31".

|              | A      | B      | C     |                 |                           |
|--------------|--------|--------|-------|-----------------|---------------------------|
| Model        | Length | Height | Depth | Number of Doors | Approximate Weight (lbs.) |
| <b>STEEL</b> |        |        |       |                 |                           |
| H241824•     | 24"    | 18"    | 24"   | 1               | 77                        |
| H242418•     | 24"    | 24"    | 18"   | 1               | 80                        |
| H242424•     | 24"    | 24"    | 24"   | 1               | 91                        |
| H301824•     | 30"    | 18"    | 24"   | 1               | 90                        |
| H302418•     | 30"    | 24"    | 18"   | 1               | 94                        |
| H302424•     | 30"    | 24"    | 24"   | 1               | 105                       |
| H361824      | 36"    | 18"    | 24"   | 1               | 104                       |
| H362418•     | 36"    | 24"    | 18"   | 1               | 105                       |
| H362424•     | 36"    | 24"    | 24"   | 1               | 120                       |
| H421824•     | 42"    | 18"    | 24"   | 1               | 118                       |
| H422418•     | 42"    | 24"    | 18"   | 1               | 121                       |
| H422424•     | 42"    | 24"    | 24"   | 1               | 135                       |
| H481824•     | 48"    | 18"    | 24"   | 1               | 133                       |
| H482418•     | 48"    | 24"    | 18"   | 1               | 131                       |
| H482424•     | 48"    | 24"    | 24"   | 1               | 149                       |
| H561818•     | 56"    | 18"    | 18"   | 1               | 125                       |
| H561818-2    | 56"    | 18"    | 18"   | 2               | 129                       |
| H561824•     | 56"    | 18"    | 24"   | 1               | 149                       |
| H561824-2    | 56"    | 18"    | 24"   | 2               | 152                       |
| H562418•     | 56"    | 24"    | 18"   | 1               | 149                       |
| H562418-2    | 56"    | 24"    | 18"   | 2               | 152                       |
| H562424•     | 56"    | 24"    | 24"   | 1               | 170                       |
| H562424-2    | 56"    | 24"    | 24"   | 2               | 173                       |
| H601818-2    | 60"    | 18"    | 18"   | 2               | 137                       |
| H601824•     | 60"    | 18"    | 24"   | 1               | 156                       |
| H601824-2    | 60"    | 18"    | 24"   | 2               | 159                       |
| H602418-2    | 60"    | 24"    | 18"   | 2               | 161                       |
| H602424-2    | 60"    | 24"    | 24"   | 2               | 183                       |
| H721818•*    | 72"    | 18"    | 18"   | 1               | 159                       |
| H721818-2    | 72"    | 18"    | 18"   | 2               | 160                       |
| H721824•*    | 72"    | 18"    | 24"   | 1               | 185                       |
| H721824-2    | 72"    | 18"    | 24"   | 2               | 185                       |
| H841818-2    | 84"    | 18"    | 18"   | 2               | 176                       |
| H841824-2    | 84"    | 18"    | 24"   | 2               | 210                       |
| H961818-2    | 96"    | 18"    | 18"   | 2               | 200                       |
| H961824-2    | 96"    | 18"    | 24"   | 2               | 237                       |

- Adjustable and Removable Shelf option available
  - \* Single door with 2 paddle latches on 40" centers
- Mounting Brackets are available as an option



## V-SERIES TRUCK BOXES

Versatile and vertically hinged RKI truck boxes let you configure a solution to protect your tools and equipment. You can even combine them with our H-Series for superior storage options.

- Can be bolted or welded together on the truck bed in a variety of arrangements
- Designed with a drip rail, channel drain, full perimeter seal support channel and knife edge to compress the door seal, producing no seal interruption at the door latch
- All V-Series truck boxes are available in white powder coat finish at no additional cost - use special order code "PAINTCSTWHT" to designate white powder coat finish

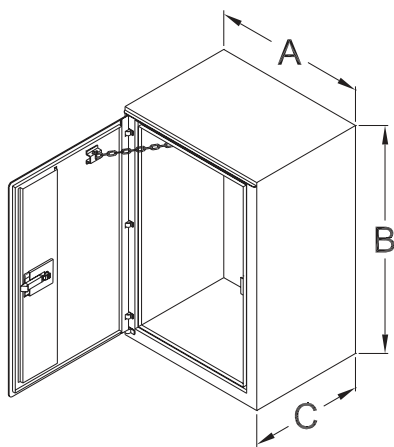


V306318-20  
L/H Hinged



V303618  
R/H Hinged

### Vertically Hinged Truck Box Specifications



#### V-SERIES TRUCK BOX MODEL NUMBER DESIGNATION

V-Series truck boxes are 14 gauge with 14 gauge double panel doors. They are vertically hinged with the A, B, and C dimensions called out in that order after the hinge designation. V-Series truck boxes with two doors are designated by "-2" after the model number. V-Series truck boxes with two doors that overlap without a center door facing are designated with a "-20". Single or two door "-2" V-Series truck boxes are left hand hinged. Right hand hinged doors are available as an option. V-Series truck boxes come in a black polyester powder coat finish.

| Model        | A<br>Length | B<br>Height | C<br>Depth | Number<br>of Doors | Approximate<br>Weight (lbs.) |
|--------------|-------------|-------------|------------|--------------------|------------------------------|
| <b>STEEL</b> |             |             |            |                    |                              |
| V243618•     | 24"         | 36"         | 18"        | 1                  | 104                          |
| V243624•     | 24"         | 36"         | 24"        | 1                  | 123                          |
| V246318-20•  | 24"         | 63"         | 18"        | 2                  | 192                          |
| V246324-20•  | 24"         | 63"         | 24"        | 2                  | 208                          |
| V303618•     | 30"         | 36"         | 18"        | 1                  | 127                          |
| V303624•     | 30"         | 36"         | 24"        | 1                  | 144                          |
| V306318-20•  | 30"         | 63"         | 18"        | 2                  | 203                          |
| V306324-20•  | 30"         | 63"         | 24"        | 2                  | 233                          |
| V363618•     | 36"         | 36"         | 18"        | 1                  | 141                          |
| V363624•     | 36"         | 36"         | 24"        | 1                  | 161                          |
| V366318-20•  | 36"         | 63"         | 18"        | 2                  | 227                          |
| V366324-20•  | 36"         | 63"         | 24"        | 2                  | 256                          |
| V423618-20•  | 42"         | 36"         | 18"        | 2                  | 165                          |
| V423624-20•  | 42"         | 36"         | 24"        | 2                  | 188                          |
| V426318-20•  | 42"         | 63"         | 18"        | 2                  | 251                          |
| V426324-20•  | 42"         | 63"         | 24"        | 2                  | 275                          |
| V483618-20•  | 48"         | 36"         | 18"        | 2                  | 192                          |
| V483624-20•  | 48"         | 36"         | 24"        | 2                  | 217                          |
| V486318-20•  | 48"         | 63"         | 18"        | 2                  | 275                          |
| V486324-20•  | 48"         | 63"         | 24"        | 2                  | 325                          |
| V562418-2    | 56"         | 24"         | 18"        | 2                  | 155                          |
| V562424-2    | 56"         | 24"         | 24"        | 2                  | 178                          |
| V602418-2    | 60"         | 24"         | 18"        | 2                  | 159                          |
| V602424-2    | 60"         | 24"         | 24"        | 2                  | 187                          |
| V602424-20•  | 60"         | 24"         | 24"        | 2                  | 230                          |
| V603618-20•  | 60"         | 36"         | 18"        | 2                  | 219                          |
| V603624-20•  | 60"         | 36"         | 24"        | 2                  | 247                          |

• Shelf option available



**WINDOW GRILLES AND RACKS**

RKI Window Grilles protect your rear window from accidental breakage and protect your truck's interior from sun damage, while allowing unobstructed visibility.

The Window Grille combines with our Rear Grille (to mount at rear of the pickup bed).

RKI Window Grilles and Ladder Racks are built of heavy duty steel with polyester powder coat finish to provide many years of dependable service.

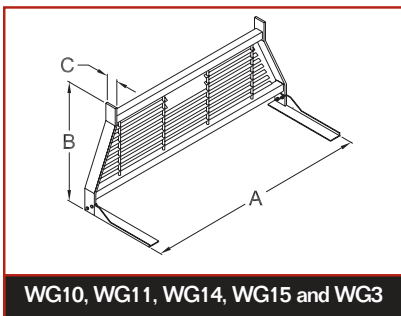


**WG3B**

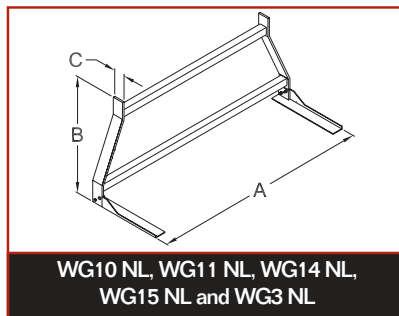
| Window Grille and Rack Specifications |             |             |            |                              |  |
|---------------------------------------|-------------|-------------|------------|------------------------------|--|
| Model                                 | A<br>Length | B<br>Height | C<br>Depth | Approximate<br>Weight (lbs.) | Application  |
| <b>STEEL</b>                          |             |             |            |                              |  |
| LRO49US                               | 62"         | 32"         | 1"         | 56                           | Bow Type Ladder Rack for Wide Bed with "US" boxes installed                      |
| RG10*                                 | 68"         | 27 3/4"     | 3"         | 47                           | Dodge Ram, "Classic" Chevy Silverado & GMC Sierra, Toyota Tundra, & Nissan Titan |
| RG11*                                 | 68"         | 29 1/4"     | 3"         | 47                           | Ford Super Duty  |
| RG15*                                 | 71"         | 26 1/8"     | 3"         | 47                           | 2004 & later Ford F-150, 2007 "New Style" & 2008 Silverado & Sierra              |
| WG10                                  | 71"         | 27 3/4"     | 3"         | 88                           | Dodge Ram, "Classic" Chevy Silverado & GMC Sierra, Toyota Tundra, & Nissan Titan |
| WG10 NL                               | 71"         | 27 3/4"     | 3"         | 64                           | Dodge Ram, "Classic" Chevy Silverado & GMC Sierra, Toyota Tundra, & Nissan Titan |
| WG11                                  | 71"         | 29 1/4"     | 3"         | 88                           | Ford Super Duty  |
| WG11 NL                               | 71"         | 29 1/4"     | 3"         | 65                           | Ford Super Duty  |
| WG14                                  | 59 1/2"     | 26 7/8"     | 3"         | 78                           | Ford Ranger  |
| WG14NL                                | 59 1/2"     | 26 7/8"     | 3"         | 57                           | Ford Ranger  |
| WG15                                  | 71"         | 26 1/8"     | 3"         | 83                           | 2004 & later Ford F-150, 2007 "New Style" & 2008 Silverado & Sierra              |
| WG15NL                                | 71"         | 26 1/8"     | 3"         | 62                           | 2004 & later Ford F-150, 2007 "New Style" & 2008 Silverado & Sierra              |
| WG3                                   | 59"         | 25 1/4"     | 3"         | 80                           | Chevy Colorado, GMC Canyon and Dodge Dakota                                      |
| WG3 NL                                | 59"         | 25 1/4"     | 3"         | 58                           | Chevy Colorado, GMC Canyon and Dodge Dakota                                      |

\* Will not work in conjunction with some S and STS-Series truck boxes. All LRO, RG and WG products are available in black powder coat finish - just add a "B" to the end of the model number.

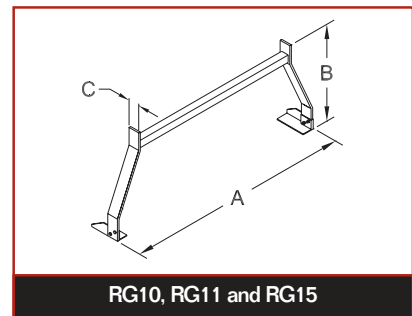
**NOTE:** Rear grilles are designed to mount at the rear of the pickup bed.



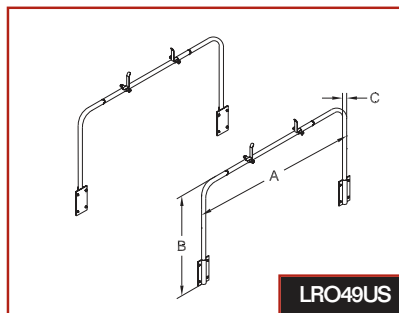
**WG10, WG11, WG14, WG15 and WG3**



**WG10 NL, WG11 NL, WG14 NL, WG15 NL and WG3 NL**



**RG10, RG11 and RG15**



**LRO49US**

**14** Note: All product specifications are general. Aftermarket accessories such as bedliners may affect the way your product fits. Some short bed pickups cannot accept a window grille and deep crossbox without interference with the wheel wells. Always measure your truck to assure proper fit.

### PROTECT YOUR INVESTMENT

RKI Window Grille Caps protect your window grille and rear grille while adding some flare to your truck.

RKI Window Grille Caps are manufactured from bright diamond treadplate aluminum to provide many years of dependable service.

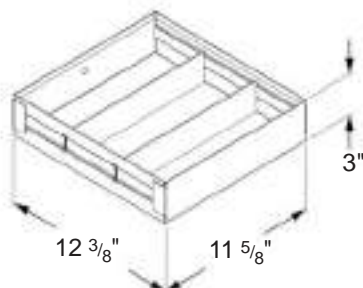


WG11B w/ WG10 CAP

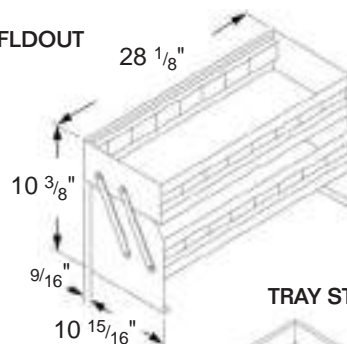
| Aluminum Accessory Caps |          |          |         |                           |   |
|-------------------------|----------|----------|---------|---------------------------|---|
| Model                   | A Length | B Height | C Depth | Approximate Weight (lbs.) | Application   |
| <b>ALUMINUM</b>         |          |          |         |                           |   |
| RG10 CAP                | 53 1/8"  | 2"       | 2"      | 5                         | RG10 and RG11 Rear Grilles                              |
| WG10 CAP                | 57"      | 2"       | 2"      | 5                         | WG10, WG11 and WG15 Window Grilles and RG15 Rear Grille |
| WG14 CAP                | 46"      | 2"       | 2"      | 5                         | WG14 Window Grille                                      |
| WG3 CAP                 | 44 1/4"  | 2"       | 2"      | 5                         | WG3 Window Grille                                       |

### TRUCK BOX TRAYS

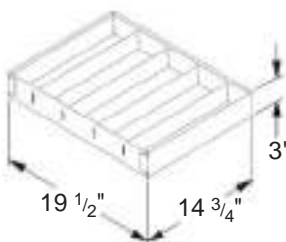
TRAY SLPW



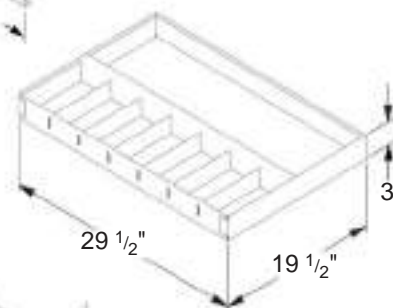
TRAY FLDOUT



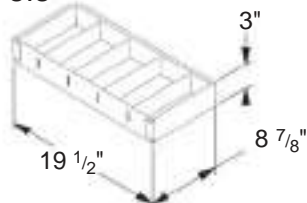
TRAY SW



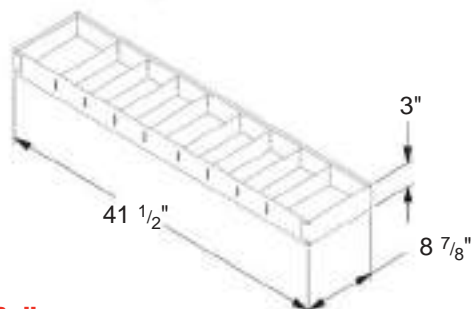
TRAY ST



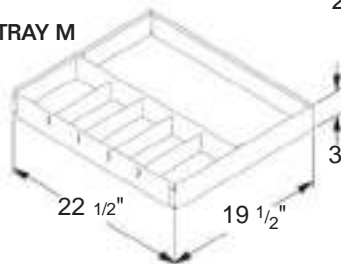
TRAY STS



TRAY US



TRAY M



All trays are steel with a white polyester powder coat finish.

## Other RKI Quality Products

- Canopy Bodies
- Custom Service Bodies
- Line Bodies
- Service Bodies
- Truck Mount Cranes
- Winches

RKI manufactures special truck boxes - consult your nearest dealer for custom sizes.

IN ORDER TO PROVIDE YOU WITH THE MOST INNOVATIVE AND PROGRESSIVE EQUIPMENT, ALL PRICES, SPECIFICATIONS, AND DESIGNS ARE SUBJECT TO CHANGE WITHOUT NOTICE.



# RKI<sup>®</sup>

[www.rki-us.com](http://www.rki-us.com)

**RKI, Inc.**  
**2301 Central Parkway**  
**Houston, Texas 77092**  
**713.688.4414**  
**FAX: 713.688.8982**