

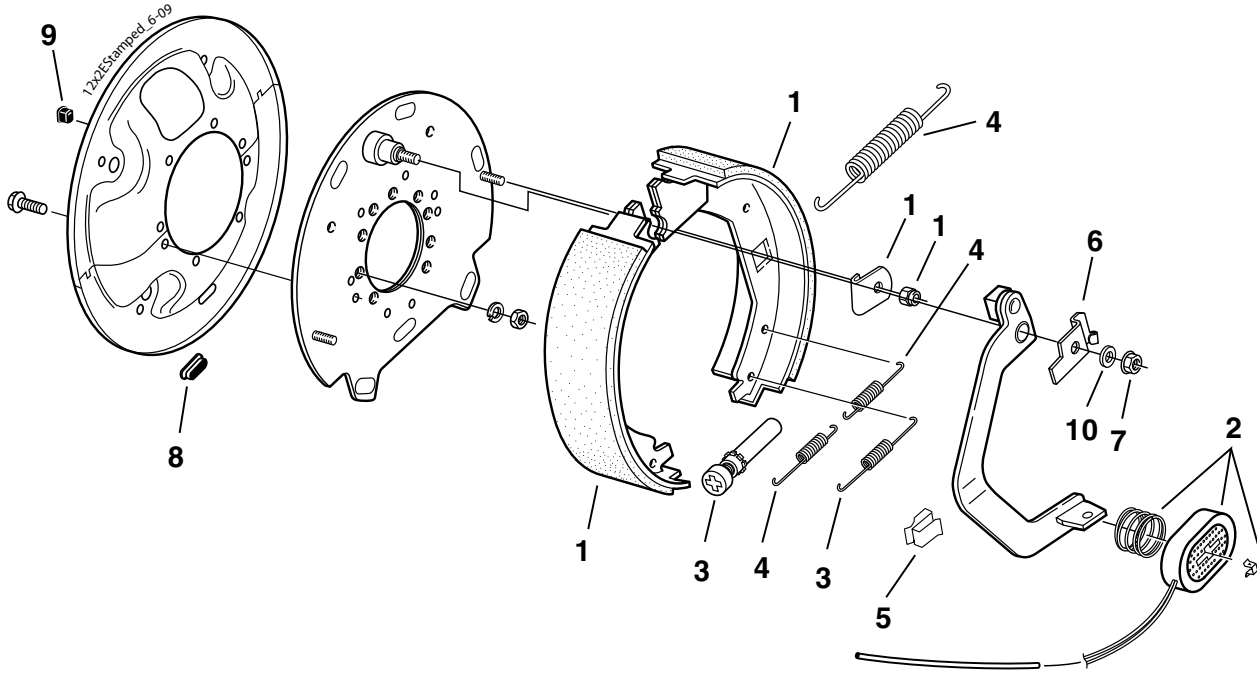
# 12¼" x 2½" Electric Brake – Stamped Backing Plate



Service Parts Only

CSA approved at 7100#/14.2 SLR

**7200 LBS. CAPACITY**



## Electric Brake – Service Parts Only

Item	Part No.	Qty/Brk	Description
0	K23-369-00	1	RH Complete Brake Assembly (shown)
0	K23-370-00	1	LH Complete Brake Assembly
1	K71-410-00	1	Shoe & Lining Kit Contains: 1 #040-310-01 RH Primary S&L or LH Secondary S&L 1 #040-309-01 LH Primary S&L or RH Secondary S&L 2 #005-107-00 Shoe Hold Down Washer 2 #006-127-00 Locknut
2	K71-441-00	1	Magnet Kit Contains: 1 #042-136-00 Magnet 1 #027-050-00 Magnet Retainer 1 #046-117-00 Magnet Spring
3	K71-411-00	1	Adjusting Screw Kit Contains: 1 #046-018-00 Adjuster Spring (red) 1 #046-017-00 Adjuster Assembly
4	K71-412-00	1	Brake Spring Kit Contains: 1 #046-119-00 Shoe Return (gray) 1 #046-117-00 Magnet Spring 2 #046-120-00 Centering Spring 1 #046-018-00 Adjuster Spring (red)
5	027-039-00	3	Wire Clip
6	071-455-01	1	LH Lever Arm Retainer
6	071-455-02	1	RH Lever Arm Retainer
7	006-092-01	1	Flange Nut
8	046-007-00	2	Adjuster Slot Plug
9	046-016-00	1	Magnet Wire Grommet
10	005-142-00	1	Washer

Note: Only numbered items are available.

**Brakes manufactured before May 2000 use the stamped backing plate**