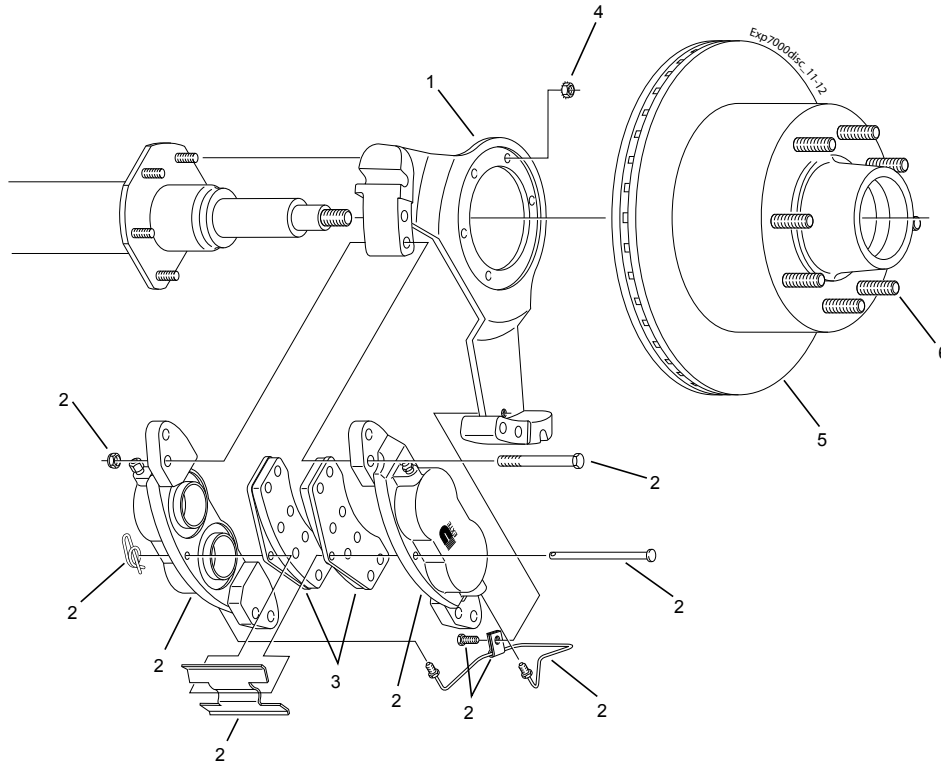


Disc Brake for 7,000 Lb. Axles



CSA approved at 7000#/14.0 SLR



Disc Brake 7000#

Item	Part No.	Qty/Brk	Description
1	090-008-01	1	LH Anchor Yoke
1	090-008-02	1	RH Anchor Yoke (shown)
2	K71-693-00	1	Caliper Assembly Kit for LH or RH Contains:
	4 006-045-00		Caliper Mounting Nut
	4 007-254-00		Caliper Mounting Bolt
	1 019-019-00		Cotter Ring
	1 027-060-00		Tube Clamp
	1 046-145-00		Anti-Rattle Spring
	1 054-092-00		Bleeder Screw
	1 054-094-00		Adapter Fitting
	1 056-038-00		Pad Retaining Pin
	1 071-517-00		Cross Over Hydraulic Line (yokes with notch)
	1 087-002-00		Hex Bolt
	2 089-005-06		Assembled Caliper Half
3	K71-629-00	1	Brake Pad Kit (axle set)
4	006-193-00	5	3/8" Brake Mounting Nut-Washer Assembly

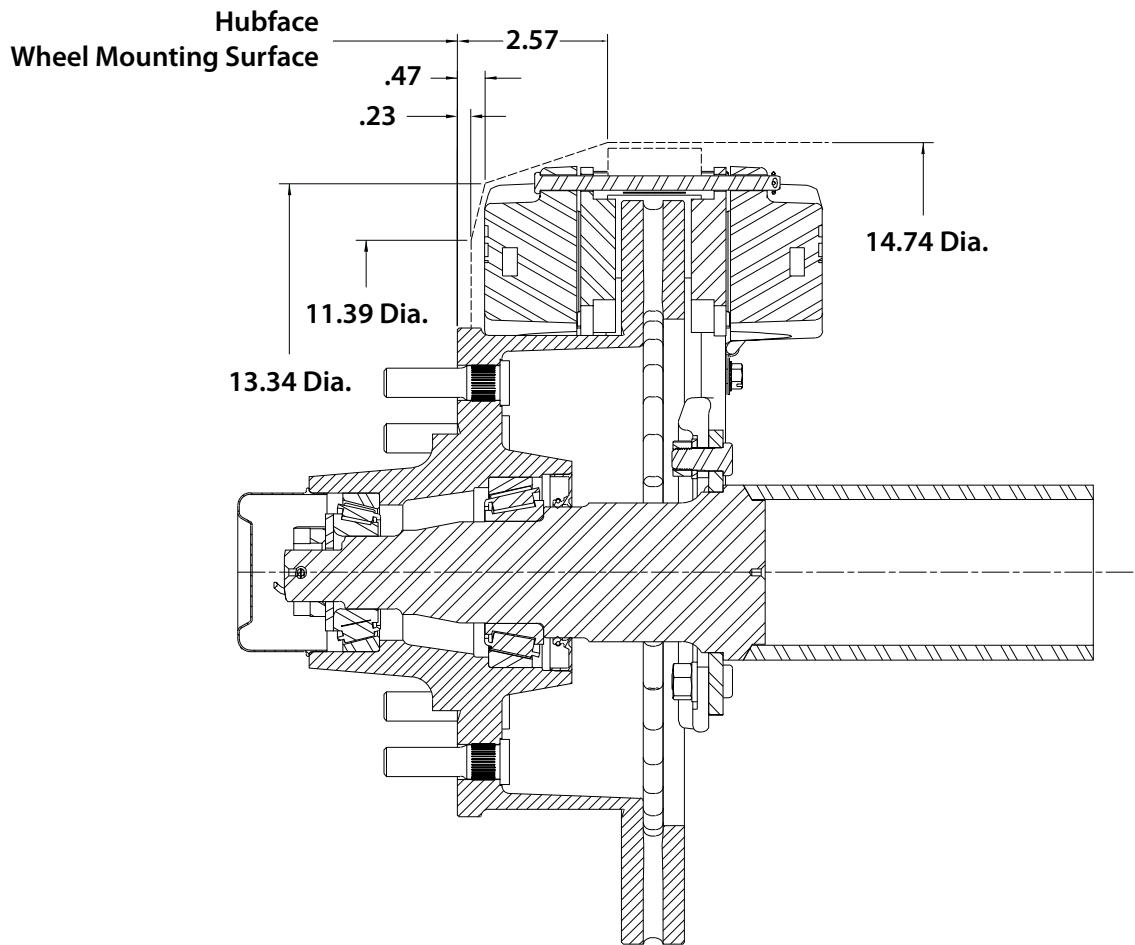
Disc Brake Hubs & Studs

Item	Part No.	Qty/Brk	Description
5	008-416-10	1	Grease 1/2" Studs 8 on 6.50
	008-416-11	1	Oil 1/2" Studs 8 on 6.50
	008-416-12	1	Grease 9/16" Studs 8 on 6.50
	008-416-13	1	Oil 9/16" Studs 8 on 6.50
	008-416-14	1	Grease 5/8" Studs 8 on 6.50
	008-416-15	1	Oil 5/8" Studs 8 on 6.50
6	007-122-00	8	1/2-20 x 1.84" Press-in Stud
	007-223-00	8	9/16-18 x 2.01" Press-in Stud
	007-224-00	8	5/8-18 x 2.50" Press-in Stud

Recommended Wheel Clearance for 7,000 Lb. Disc Brake



5500 - 7000 LBS. CAPACITY



CAUTION: The above hub/rotor profile shows the minimum clearance needed to insure that no part of the wheel makes contact with any brake component.

Make sure the wheel is in full contact with the hub face and does not drag against the brake caliper. If there is not full contact with the hub face, you may experience a dangerous wheel separation.