



# General Applications

3600 - 6000 LBS. CAPACITY



## Axle Types

### 3600-6000 Lbs. Capacity

- Complete service manual
- Precision machined steel spindles and integral cast iron hub/drums
- Press-in wheel studs
- 10" x 2¼" CSA approved electric brakes
- 12" x 2" CSA approved electric brakes
- 12" x 2" hydraulic brakes
- Electric and hydraulic brakes are available with and without parking feature
- Hydraulic free backing brakes are available
- Inner wiring system for easier installation and protection of brake wiring
- Standard grease lubrication; E-Z Lube® or Nev-R-Lube® option



- Totally rubber-cushioned for smooth, quiet, independent ride
- Easy installation with less maintenance
- Less transfer of road shock which insulates cargo from road shocks and vibration
- Rubber cords compounded for maximum dependability and durability
- Load-carrying cross member
- Self-damping action
- Independent wheel suspension system
- 5 year limited warranty on suspension system
- Low profile for maximum road clearance
- Various starting angles to control trailer height
- High and low profile brackets with optional mounting brackets available
- Rubber cushioning eliminates metal-to-metal contact
- Shock absorption provided by the natural hysteresis of rubber
- Single or tandem axle assemblies
- Durable, wear-resistant components

**CAUTION:** Triple axle assemblies are NOT recommended for Torflex® axles.

### D44, D52 & D60 LEAF SPRING



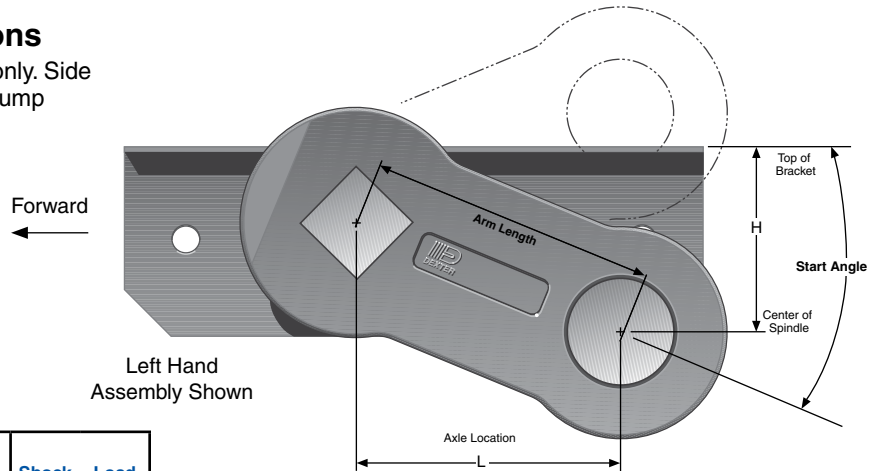
- High strength 3" diameter tube
- Straight or Drop spindles (4" drop only)
- High quality alloy steel springs in a variety of capacities
- Single, tandem, or triple axle assemblies with equalized suspensions
- Slipper spring or double eye leaf spring suspension
- Optional hanger and attaching parts kits available
- Durable, wear-resistant components
- 2 year limited warranty





## Articulation Dimensions

Dimensions are for top mount only. Side mount is .25" higher. Allow 3" bump clearance from full load.



Start Angle	Bracket Profile	No Load		Full Load		Shock Load	
		H	L	H	L	H	L
45° Down	Low	6.01	4.24	4.06	5.54	3.06	5.86
	High	6.76	4.24	4.81	5.54	3.81	5.86
22.5° Down	Low	4.06	5.54	1.77	6.00	0.72	5.91
	High	4.81	5.54	2.52	6.00	1.47	5.91
10° Down	Low	2.81	5.91	0.47	5.86	-0.53	5.54
	High	3.56	5.91	1.22	5.86	0.22	5.54
0°	Low	1.77	6.00	-0.53	5.54	-1.46	5.06
	High	2.52	6.00	0.22	5.54	-0.71	5.06
10° Up	Low	0.72	5.91	-1.46	5.06	-2.29	4.42
	High	1.47	5.91	-0.71	5.06	-1.54	4.42
22.5° Up	Low	-0.53	5.54	-2.48	4.24	-3.15	3.44
	High	0.22	5.54	-1.73	4.24	-2.40	3.44

### #11 Overhang Per Side

Spindle	Min.	Disc.*	Max.
Short	7.00"	7.50"	10.22"
Standard	7.50"	7.50"	10.22"

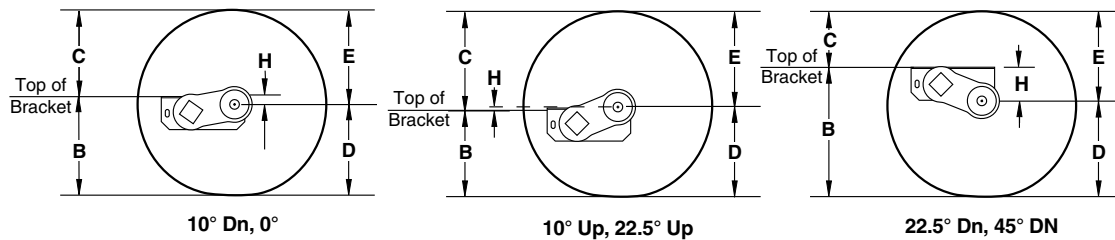
\* Minimum overhang with disc brakes

**Note:** Positive numbers in the H column indicate the spindle is BELOW the top of the bracket. Conversely, negative numbers are ABOVE the top of the bracket.



## Full Load Dimensions

Dimensions are for low profile, top mount only. High profile brackets are .75" higher. Side mount is .25" higher. Allow 3" bump clearance from full load.



### Start Angle

Tire	*	**	45° Down			22.5° Down			10° Down			0°			10° Up			22.5° Up		
			D	E	H	B	C	H	B	C	H	B	C	H	B	C	H	B	C	
ST225/75R15	13.0	14.4	4.1	17.1	10.3	1.8	14.8	12.6	0.5	13.5	13.9	-0.5	12.5	14.9	-1.5	11.5	15.9	-2.5	10.5	16.9
LT235/85R16	14.3	15.4	4.1	18.4	11.3	1.8	16.1	13.6	0.5	14.8	14.9	-0.5	13.8	15.9	-1.5	12.8	16.9	-2.5	11.8	17.9
LT225/75R16	13.5	14.9	4.1	17.6	10.8	1.8	15.3	13.1	0.5	14.0	14.4	-0.5	13.0	15.4	-1.5	12.0	16.4	-2.5	11.0	17.4
8.75R16.5LT	13.8	14.8	4.1	17.9	10.7	1.8	15.6	13.0	0.5	14.3	14.3	-0.5	13.3	15.3	-1.5	12.3	16.3	-2.5	11.3	17.3

Columns D and E are dimensional examples only:

\* D – Static Loaded Radius

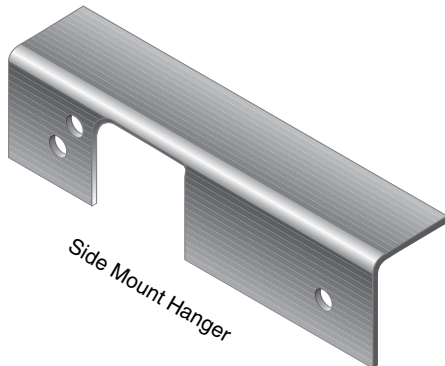
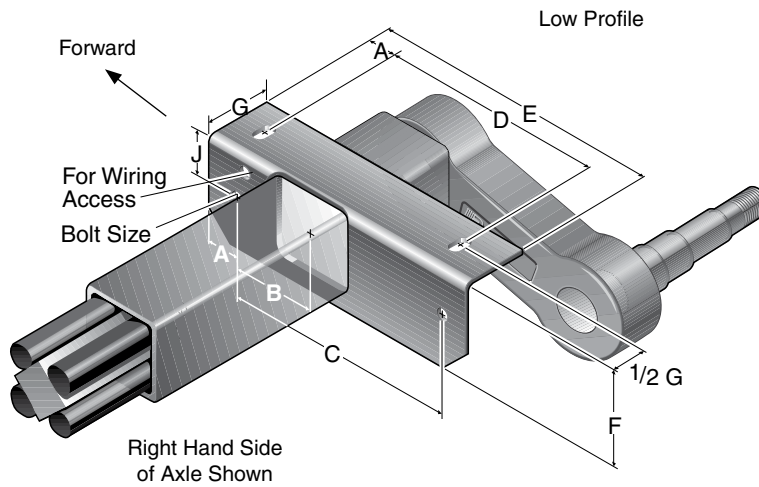
\*\* E – Inflated Radius



**3600 - 6000 LBS. CAPACITY**

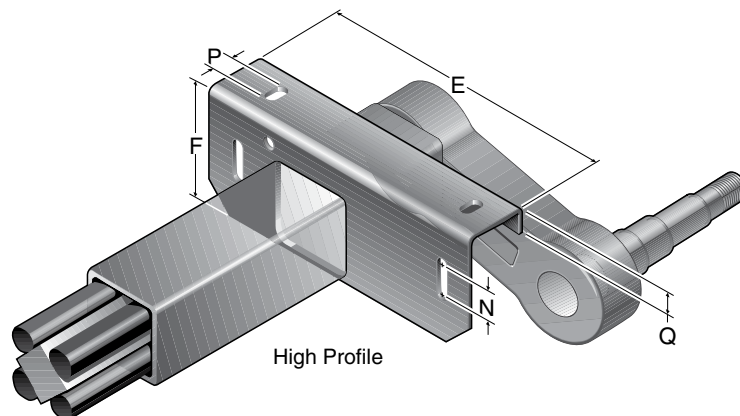


## Bracket Dimensions



**#11 Bracket Dimensions**

	Low	High
A	.75	1.25
B	3.50	3.50
C	9.50	9.50
D	9.00	9.00
E	11.00	12.00
F	3.91	4.66
G	2.50	2.50
J	1.83	1.83
N	----	1.03
P	----	1.00
Q	----	1.00
Bolt Size	5/8" bolt	
Tube Size	3.03	3.03



# Leaf Spring Application Information



**3600 - 6000 LBS. CAPACITY**

## Double Eye Springs

For Standard 33" Axle Spacing  
 Single A/P-122-00  
 Tandem A/P-233-00  
 Triple A/P-335-00

	Spring Length		
	21"	24"	26"
A	19.62	23.50	25.75
B	25.00	27.50	29.50
C	28.75	31.00	33.00
D	10.62	12.00	13.00
E	28.75	31.00	33.00

For Optional 35" Axle Spacing  
 Tandem A/P-264-00  
 Triple A/P-364-00

	Spring Length		
	21"	24"	26"
B	26.00	28.50	30.50
C	30.80	33.00	35.00
D	10.62	12.00	13.00
E	30.80	33.00	35.00

## D44 Overhang Per Side

	Min.	Max.
Straight	6.00"	9.50"

## D52 Overhang Per Side

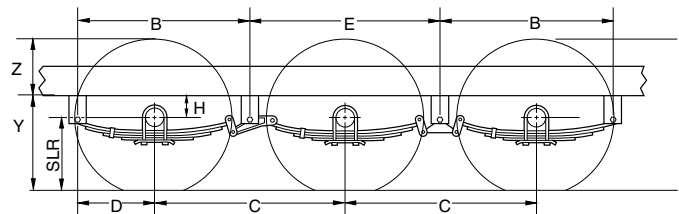
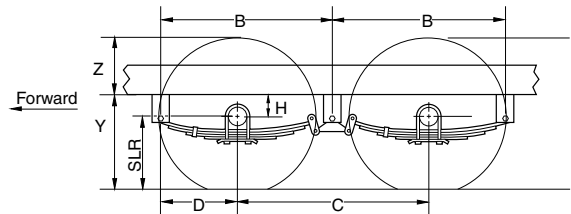
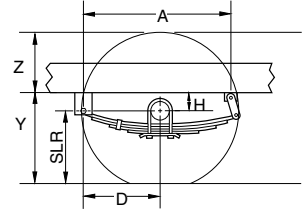
	Min.	Disc.*	Max.
Straight	6.63"	9.00"	9.50"
4" Drop	7.87"	N/A	9.50"
Nev-R-Lube®	6.19"	9.00"	9.50"

\* Minimum overhang with disc brakes

## D60 Overhang Per Side

	Min.	Disc.*	Max.
Straight	6.63"	9.00"	10.00"
4" Drop	7.87"	N/A	10.00"
Nev-R-Lube®	6.19"	9.00"	10.00"

\* Minimum overhang with disc brakes



## Double Eye Axle Assemblies

### Hanger Kits

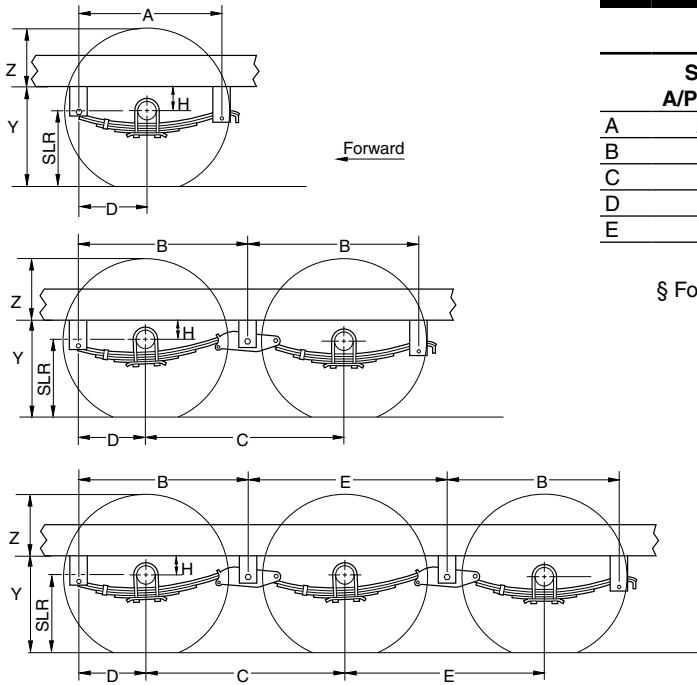
Part No.	Description	Height	Quantity Per Kit				
			HGR-104-00	HGR-105-00	HGR-248-00	HGR-249-00	HGR-348-00
028-005-00	Hanger	3.25"	2	----	4	2	4
028-006-00	Front Hanger	1.44"	----	2	----	----	----
029-008-00	Front Hanger	2.06"	----	----	----	4	----
029-031-00	Center Hanger	3.62"	----	----	2	----	4
030-020-00	Rear Hanger	.91"	2	2	----	----	----

### Attaching Parts Kits

Part No.	Description	Quantity Per Kit				
		A/P-122-00	A/P-233-00	A/P-264-00†	A/P-335-00	A/P-364-00†
006-092-01	Flange Locknut	6	14	14	22	22
007-126-00	Shackle Bolt	2	6	6	10	10
013-104-02	Equalizer	----	2	----	2	----
013-105-02	Equalizer	----	----	----	2	----
013-122-02	Equalizer	----	----	2	----	2
013-126-02	Equalizer	----	----	----	----	2
018-011-00	Shackle Link	----	4	4	6	6
018-012-00	Shackle Link, Long	2	----	----	----	----
018-020-00	Shackle Link Assembly	----	4	4	6	6
018-021-00	Shackle Link Assembly, Long	2	----	----	----	----

† For 35" axle spacing using 26" springs

# Leaf Spring Application Information



Slipper Springs					
	Single	Tandem		Triple	
	A/P-103-00	A/P-202-00 <sup>§</sup>	A/P-216-00 <sup>‡</sup>	A/P-302-00 <sup>§</sup>	A/P-316-00 <sup>‡</sup>
A	24.0	----	----	----	----
B	----	28.8	30.4	28.8	30.4
C	----	33.5	36.0	33.5	36.0
D	11.5	11.5	11.5	11.5	11.5
E	----	----	----	33.0	35.0

**Note:** All 2" wide slipper springs  
<sup>§</sup> For 33.5" axle spacing      <sup>‡</sup> For 36" axle spacing

A, B, E – Hanger Spacing  
 C – Axle Spacing  
 D – Axle Location  
 H – Center of Spindle  
 Y – Frame Height  
 Z – Top of Tire to Bottom of Frame  
 SLR – Static Load Radius

To determine these values, contact your local sales engineer or distributor to run ProSpec™.

## Slipper Spring Axle Assemblies

Hanger Kits			Quantity Per Kit		
Part No.	Description	Height	HGR-110-00	HGR-202-00	HGR-302-00
028-001-00	Front Hanger	4.25"	2	2	2
029-001-00	Center Hanger	3.50"	----	2	4
030-028-00	Rear Hanger	4.00"	2	2	2

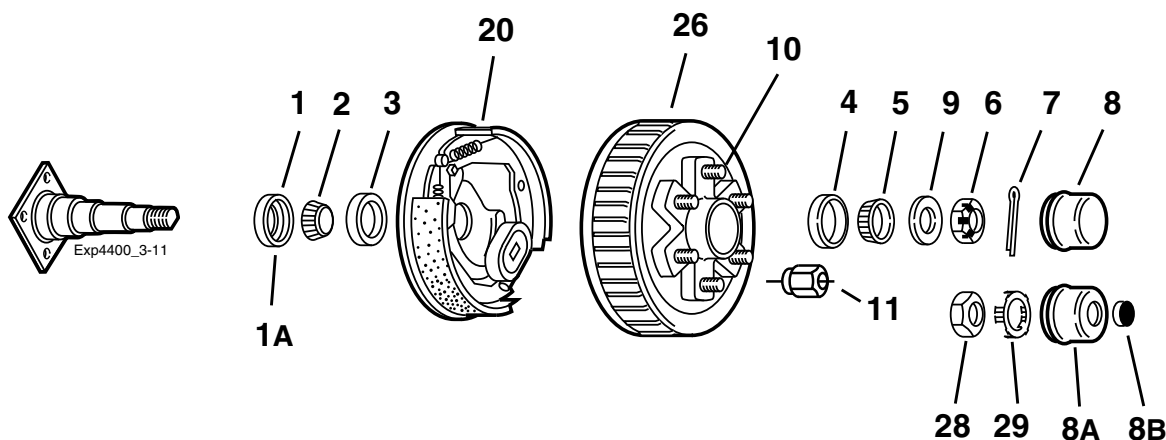
  

Attaching Parts Kits		A/P-103-00	A/P-202-00 <sup>§</sup>	A/P-216-00 <sup>‡</sup>	A/P-302-00 <sup>§</sup>	A/P-316-00 <sup>‡</sup>
006-007-01	3/16-18 Locknut	2	4	4	6	6
006-011-00	Keeper Nut	2	4	4	6	6
006-111-00	Equalizer Nut	----	2	2	4	4
007-001-01	Equalizer Bolt	----	2	2	4	4
007-007-00	Keeper Bolt	2	4	4	6	6
007-017-00	Spring Eye Bolt	2	4	4	6	6
013-004-00	Equalizer	----	2	----	4	----
013-044-01	Equalizer	----	----	2	----	4

<sup>§</sup> For 33.5" axle spacing

<sup>‡</sup> For 36" axle spacing

Some combinations of hangers and spring mountings may result in insufficient bump clearance. Refer to the Miscellaneous section for additional hanger kits, A/P kits, or other tires.



### Grease Lube Parts

Item	Part No.	Description
1	010-004-00	Grease Seal
1A	010-019-00	Grease Seal for E-Z Lube®
2	031-033-02	L68149 Inner Bearing Cone
3	031-033-01	L68111 Inner Bearing Cup
4	031-032-01	LM67010 Outer Bearing Cup
5	031-032-02	LM67048 Outer Bearing Cone
6	006-176-00	Spindle Nut
7	019-002-00	Cotter Pin (not used with E-Z Lube®)
8	021-001-00	Grease Cap
8A	021-042-01	Grease Cap for E-Z Lube®
8B	085-001-00	Rubber Plug for E-Z Lube®
9	005-023-00	Spindle Washer
28	006-191-00	Special Jam Nut for E-Z Lube® (after 2002)
29	006-190-00	Spindle Nut Retainer for E-Z Lube® (after 2002)

### 10" x 2¼" Brakes Old Style Before 5/1/09

Item	Part No.	Description
ns	K23-454-00	LH Electric
ns	K23-455-00	RH Electric

### 10" x 2¼" Brakes New Style After 5/1/09

Item	Part No.	Description
20	K23-462-00	LH Electric
20	K23-463-00	RH Electric

ns - not shown

Note: Spindle is not available for resale.

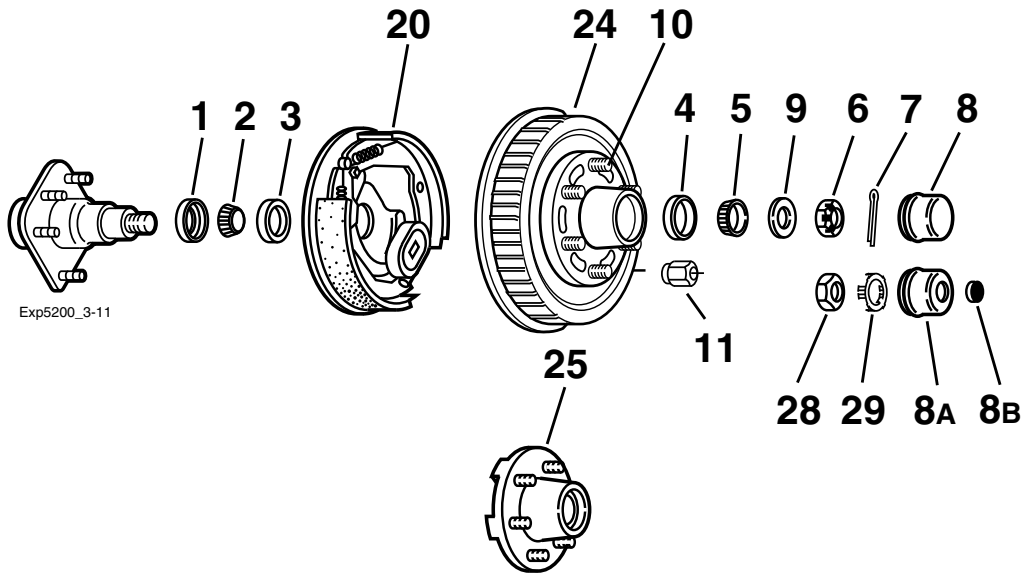
### Hubs

Item	Part No.	Description	Bolt Circle
<b>Hubs and Drums</b>			
26	008-407-05	½" Stud	6 on 5.50

### Studs & Wheel Nuts

Item	Part No.	Description
10	007-122-00	½-20 Pressed Wheel Stud
11	006-080-00	½-20 60° Cone Nut

# 655 Hub Group



## Grease Lube Parts

Item	Part No.	Description
1	010-036-00	Grease Seal, E-Z Lube® Seal
1	010-063-00	Oil Seal
1	010-054-00	2.250" Grease Seal
2	031-030-02	25580 Inner Bearing cone
3	031-030-01	25520 Inner Bearing Cup
4	031-032-01	LM67010 Outer Bearing Cup (for 5200#)
5	031-032-02	LM67048 Outer Bearing Cone (for 5200#)
4	031-029-01	15245 Outer Bearing Cup (for 6000#)
5	031-029-02	15123 Outer Bearing Cone (for 6000#)
6	006-176-00	Spindle Nut
7	019-002-00	Cotter Pin (not used with E-Z Lube®)
8	021-001-00	Grease Cap
8A	021-042-01	Grease Cap for E-Z Lube®
8B	085-001-00	Rubber Plug for E-Z Lube®
9	005-023-00	Spindle Washer
28	006-191-00	Special Jam Nut for E-Z Lube® (after 2002)
29	006-190-00	Spindle Nut Retainer for E-Z Lube® (after 2002)

## 12" x 2" Brakes

Item	Part No.	Description
20	K23-105-00/K23-106-00	LH/RH Electric
ns	K23-112-00/K23-113-00	LH/RH Electric w/park
ns	K23-326-00/K23-327-00	LH/RH Electric 6K CSA
ns	K23-328-00/K23-329-00	LH/RH Electric 6K CSA w/park
ns	K23-324-00/K23-325-00	LH/RH Hydraulic Uni-servo
ns	K23-320-00/K23-321-00	LH/RH Hydraulic Uni-servo w/park
ns	K23-322-00/K23-323-00	LH/RH Hydraulic Duo-servo
ns	K23-318-00/K23-319-00	LH/RH Hydraulic Duo-servo w/park
ns	K23-342-00/K23-343-00	LH/RH Hydraulic Free Backing
ns	K23-340-00/K23-341-00	LH/RH Hydraulic Free Backing w/park
ns	K23-342-01/K23-343-01	LH/RH Hydraulic FB Corrosion Resistant
ns	K23-340-01/K23-341-01	LH/RH Hydraulic FB Corrosion Resistant w/park
ns	K23-458-00/K23-459-00	LH/RH Electric Nev-R-Adjust®
ns	K23-466-00/K23-467-00	LH/RH Electric 6K CSA Nev-R-Adjust®

ns - not shown

Note: Spindle is not available for resale.

## Hubs

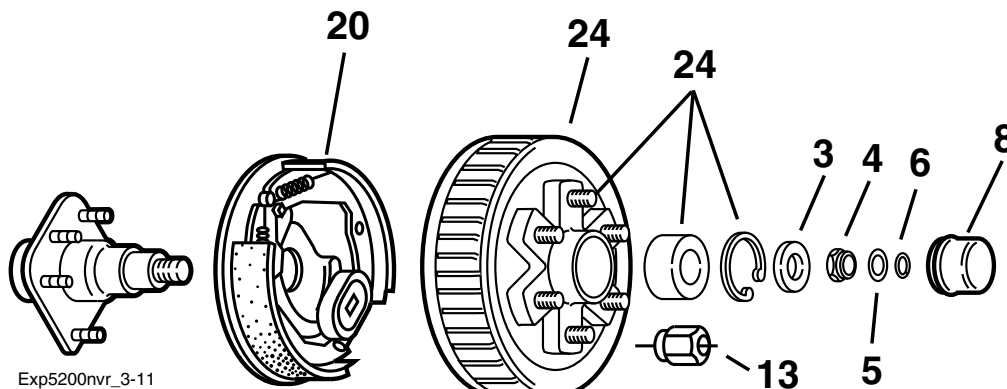
Item	Part No.	Description	Bolt Circle
<b>Hubs and Drums</b>			
24	008-201-05	½" Stud for 5200#	6 on 5.50
24	008-201-09	½" Stud 15123 bearing for 6000#	6 on 5.50
<b>Plain Hubs</b>			
25	008-213-05	½" Stud for 5200#	6 on 5.50
25	008-213-09	½" Stud 15123 bearing for 6000#	6 on 5.50

## Studs & Wheel Nuts

Item	Part No.	Description
10	007-122-00	½-20 x 1.84 Long Press-in Stud*
10	007-262-00	½-20 x 2.50 Long Press-in Stud* (hub-drum after 1/04)
11	006-080-00	½-20 60° Cone Nut

\* Stud length measured under head to end of stud.

8 on 6.5 hubs are available on these axles.  
See section in 5500-7000 lbs. capacity.



Exp5200nvr\_3-11

### Nev-R-Lube® Parts 42MM & 50MM

Item	Part No.	Description
3	005-147-01	Spindle Washer, 42mm
4	006-183-00	Spindle Nut
5	092-002-00	Washer, Torque Label
6	069-096-00	Snap Ring
8	021-085-00	Hub Cap, 42mm

### Hubs With Bearing and Wheel Studs

Item	Part No.	Description	Bolt Circle
24	008-388-80	Hub and Drum includes: 007-122-00 1/2-20 Press-in Studs 031-073-03 42mm Bearing Cartridge 069-095-00 Bearing Retainer	6 on 5.50

### 12" x 2" Brakes

Item	Part No.	Description
20	K23-105-00/K23-106-00	LH/RH Electric, 6K
ns	K23-112-00/K23-113-00	LH/RH Electric w/park, 6K
ns	K23-324-00/K23-325-00	LH/RH Hydraulic Uni-servo, 5.2K
ns	K23-320-00/K23-321-00	LH/RH Hydraulic Uni-servo w/park, 5.2K
ns	K23-322-00/K23-323-00	LH/RH Hydraulic Duo-servo, 5.2K
ns	K23-318-00/K23-319-00	LH/RH Hydraulic Duo-servo w/park, 5.2K
ns	K23-338-00/K23-339-00	LH/RH Hydraulic Uni-servo, 7K
ns	K23-334-00/K23-335-00	LH/RH Hydraulic Uni-servo w/park, 7K
ns	K23-336-00/K23-337-00	LH/RH Hydraulic Duo-servo, 7K
ns	K23-332-00/K23-333-00	LH/RH Hydraulic Duo-servo w/park, 7K
ns	K23-342-00/K23-343-00	LH/RH Hydraulic Free Backing, 7K
ns	K23-340-00/K23-341-00	LH/RH Hydraulic Free Backing w/park, 7K
ns	K23-458-00/K23-459-00	LH/RH Electric Nev-R-Adjust®
ns	K23-466-00/K23-467-00	LH/RH Electric 6K CSA Nev-R-Adjust®

### Wheel Nuts

Item	Part No.	Description
13	006-080-00	1/2-20 60° Cone Nut

8 on 6.5 hubs are available on these axles.  
See section in 5500-7000 lbs. capacity.

ns - not shown

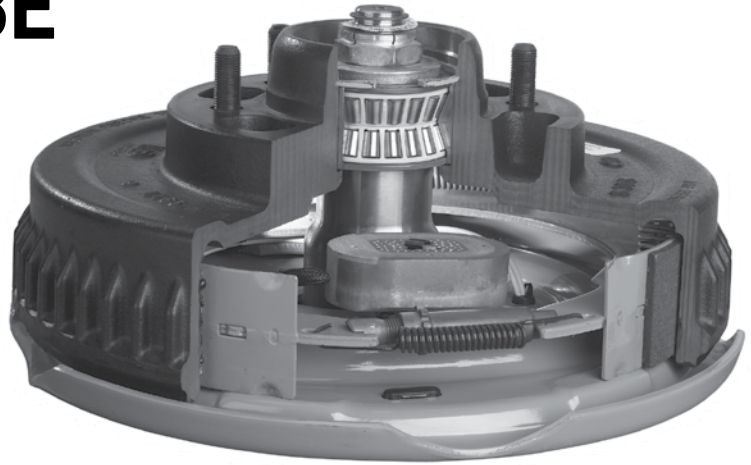
Note: Spindle is not available for resale.



# SAVE TIME, SAVE MONEY WITH NEV-R-LUBE®

## Nev-R-Lube® Features

- No more inner and outer bearings to repack
- Pre-lubricated and resistant to contamination
- Sealed for life, no bearing maintenance
- Increased durability and reliability
- No replacing seals when checking brakes
- Pre-set adjustment allows for easy installation
- Human error is virtually eliminated in bearing adjustment
- Five-year or 100,000 mile limited warranty



## What is Nev-R-Lube®?

Dexter's Nev-R-Lube® bearings are comprised of opposed tapered roller bearing cones sealed inside of a precision ground, one piece double cup arrangement. These bearings are designed with a small amount of axial end play. The end play is essential to the longevity of the bearing's service life. Nev-R-Lube® is not designed for immersion in water, such as boat trailer use.

### 42mm SEALED CARTRIDGE BEARINGS

- D52 and D60 leaf spring axles
- #11 and #12 Torflex® axles
- Straight spindles only
- Up to 6,000 lbs. capacity
- 6 on 5.50" bolt circle hub-drums
- 12" x 2" brakes
- Use only zero offset wheels

### 50mm SEALED CARTRIDGE BEARINGS

- D70, D72, and D80 leaf spring axles
- #12, #12V, and #13 Torflex® axles
- Straight spindles only
- Up to 8,000 lbs. capacity
- 8 on 6.50" bolt circle hub-drums
- 12" x 2", 12¼" x 2½", and 12¼" x 3⅞" brakes
- Can be used with zero to ½" inset wheels at 7,000 lb. ratings
- Zero offset or 0.19" inset wheels only at 8,000 lbs. capacity

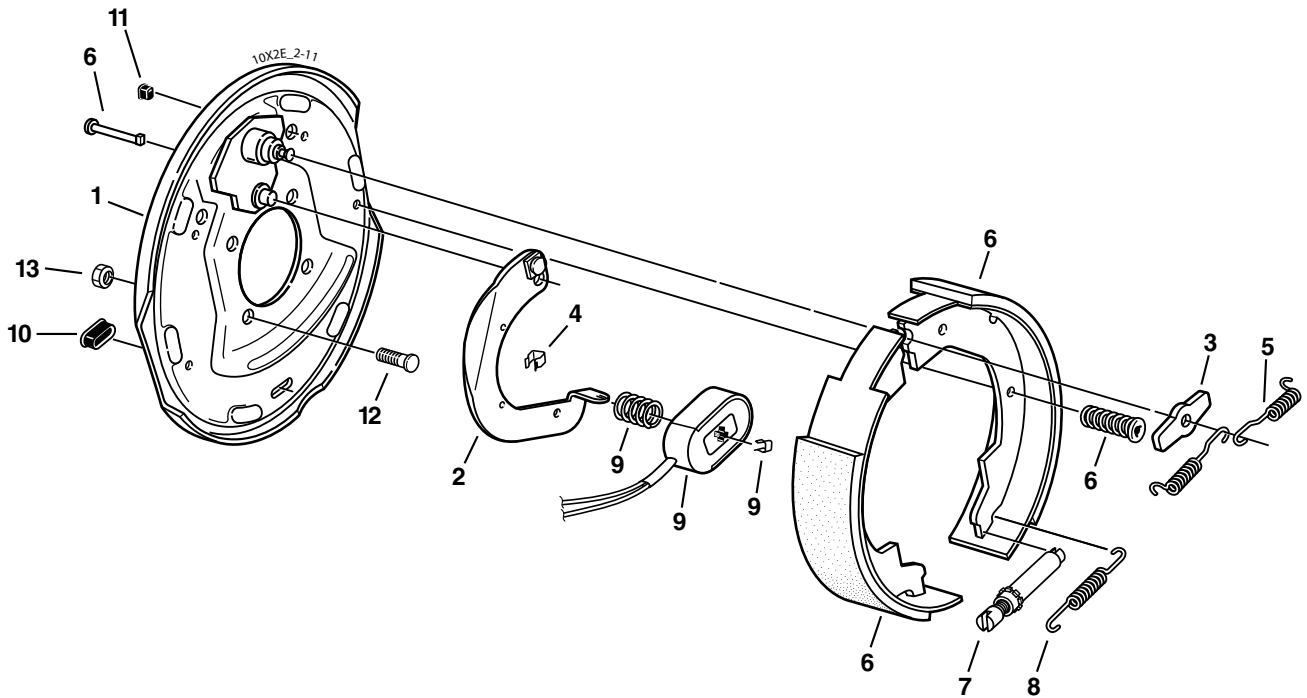
Nev-R-Lube® is subject to the maintenance and inspection procedures as outlined in the Dexter Operation Maintenance Service Manual.

# 10" x 2¼" D44 Electric Brake Manual Adjust



CSA approved at 4400#/13.0 SLR

**3600 - 6000 LBS. CAPACITY**



## Electric Brake Old Style Before 5/1/09

Item	Part No.	Qty/Brk	Description
ns	K23-454-00	1	LH Complete Brake Assembly
ns	K23-455-00	1	RH Complete Brake Assembly
1	036-019-16	1	Backing Plate Assembly
2	047-019-05	1	LH Actuating Lever Arm
2	047-020-05	1	RH Actuating Lever Arm
3	005-067-00	1	Washer
4	027-005-00	2	Wire Clip
5	046-009-00	2	Retractor Spring
6	K71-672-00	1	Shoe & Lining Kit Contains: 1 #040-361-00 Primary Shoe & Lining 1 #040-362-00 Secondary Shoe & Lining 2 #049-002-00 Shoe Hold Down Pin #8 2 #046-077-00 Shoe Hold Down Spring & Cup
7	043-004-00	1	Adjuster Assembly
8	046-018-00	1	Adjusting Screw Spring
9	K71-125-00	1	Magnet Kit Contains: 1 #042-143-00 Magnet (black wire) 1 #027-009-00 Magnet Clip 1 #046-080-00 Magnet Spring
10	046-007-00	2	Adjuster Slot Plug
11	046-016-00	1	Wire Grommet
12	007-271-00	4	Brake Mounting Bolt - Press-in
*13	006-017-00	4	Brake Mounting Nut

ns - not shown

\* Not included with complete brake assembly. Item sold separately.

## Electric Brake New Style After 5/1/09

Item	Part No.	Qty/Brk	Description
0	K23-462-00	1	LH Complete Brake Assembly (shown)
0	K23-463-00	1	RH Complete Brake Assembly
1	036-019-19	1	Backing Plate Assembly
2	047-019-05	1	LH Actuating Lever Arm
2	047-020-05	1	RH Actuating Lever Arm
3	005-067-00	1	Washer
4	027-005-00	2	Wire Clip
5	046-009-00	2	Retractor Spring
6	K71-672-00	1	Shoe & Lining Kit Contains: 1 #040-361-00 Primary Shoe & Lining 1 #040-362-00 Secondary Shoe & Lining 2 #049-002-00 Shoe Hold Down Pin #8 2 #046-077-00 Shoe Hold Down Spring & Cup
7	043-004-00	1	Adjuster Assembly
8	046-018-00	1	Adjusting Screw Spring
9	K71-125-00	1	Magnet Kit Contains: 1 #042-143-00 Magnet (black wire) 1 #027-009-00 Magnet Clip 1 #046-080-00 Magnet Spring
10	046-007-00	2	Adjuster Slot Plug
11	046-016-00	1	Wire Grommet
12	007-271-00	4	Brake Mounting Bolt - Press-in
*13	006-017-00	4	Brake Mounting Nut

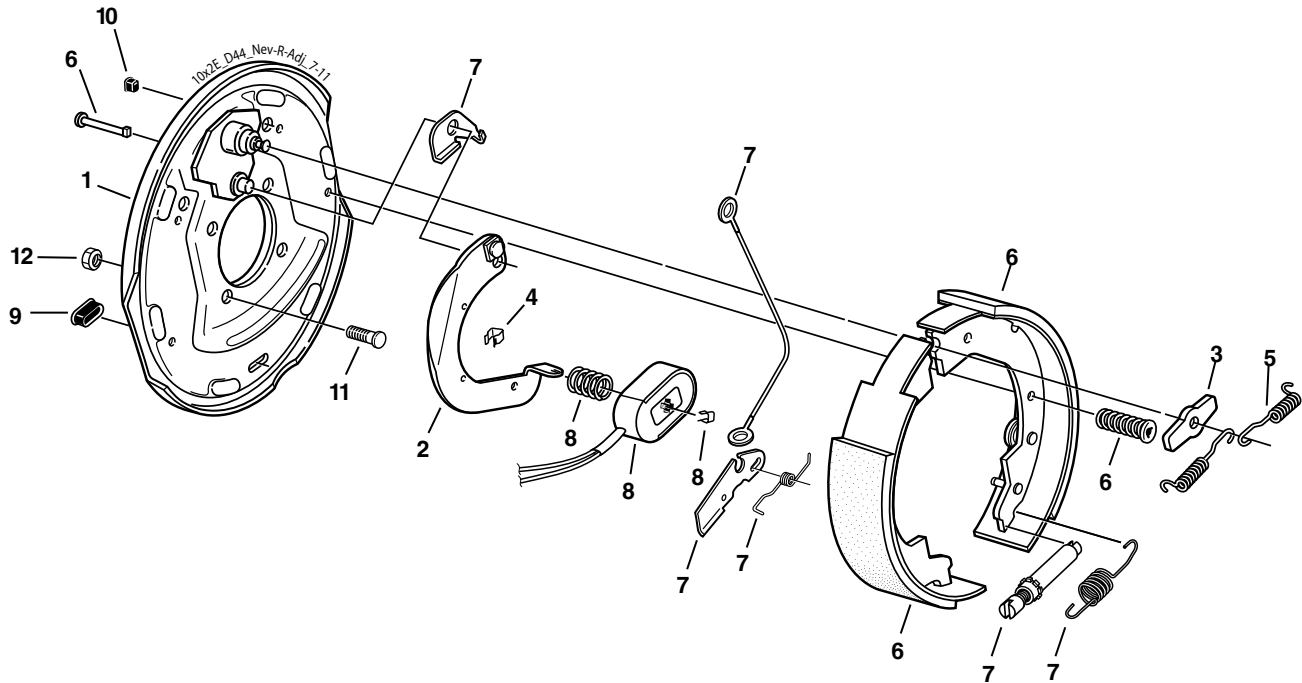
\* Not included with complete brake assembly. Item sold separately.

# 10" x 2¼" D44 Nev-R-Adjust® Electric Brake



CSA approved at 4400#/13.0 SLR

**3600 - 6000 LBS. CAPACITY**



## Electric Brake

Item	Part No.	Qty/Brk	Description
0	K23-478-00	1	LH Complete Brake Assembly (shown)
0	K23-479-00	1	RH Complete Brake Assembly
1	036-019-19	1	Backing Plate Assembly
2	047-019-10	1	LH Actuating Lever Arm
2	047-020-10	1	RH Actuating Lever Arm
3	005-067-00	1	Washer
4	027-011-00	2	Wire Clip
5	046-009-00	2	Retractor Spring
6	K71-698-00	1	LH Shoe & Lining Kit Contains: 1 #040-379-00 Primary Shoe & Lining 1 #040-380-01 Secondary Shoe & Lining 2 #049-002-00 Shoe Hold Down Pin #8 2 #046-077-00 Shoe Hold Down Spring & Cup
6	K71-699-00	1	RH Shoe & Lining Kit Contains: 1 #040-379-00 Primary Shoe & Lining 1 #040-380-02 Secondary Shoe & Lining 2 #049-002-00 Shoe Hold Down Pin #8 2 #046-077-00 Shoe Hold Down Spring & Cup
7	K71-703-00	1	LH & RH Brake Adjuster Kit Contains: 2 #046-139-00 Adjusting Screw Spring 1 #046-140-00 LH Lever Spring 1 #046-141-00 RH Lever Spring 1 #048-022-00 LH Adjuster Assembly 1 #048-023-00 RH Adjuster Assembly 2 #071-529-00 Hook for Cable 1 #071-532-01 LH Adjusting Lever 1 #071-532-02 RH Adjusting Lever 2 #071-533-00 Adjuster Cable 1 #071-655-01 LH Cable Lever 1 #071-655-02 RH Cable Lever 2 #071-656-00 Adjuster Cable
8	K71-125-00	1	Magnet Kit Contains: 1 #042-143-00 Magnet (black wire) 1 #027-009-00 Magnet Clip 1 #046-080-00 Magnet Spring
9	046-007-00	2	Adjuster Slot Plug
10	046-016-00	1	Wire Grommet
11	007-271-00	4	Brake Mounting Bolt - Press-in
*12	006-017-00	4	Brake Mounting Nut

**This brake will not fit axles produced prior to 5/1/09.**

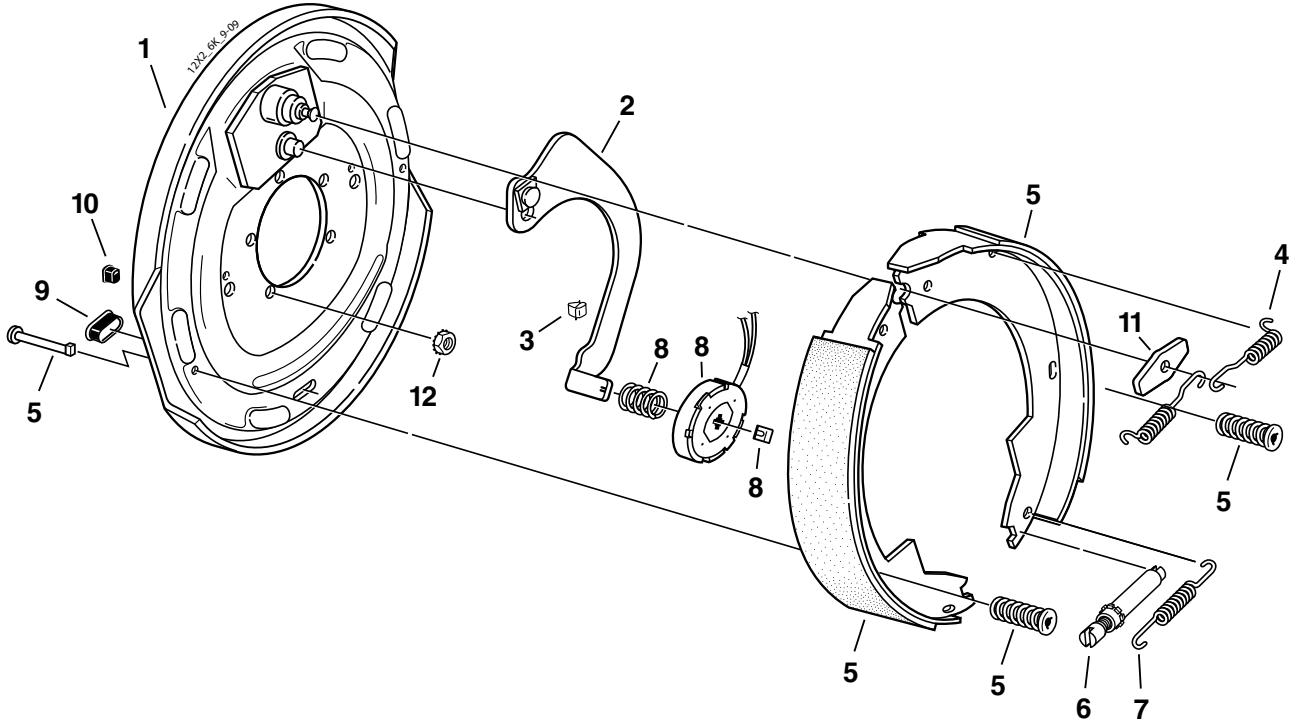
\* Not included with complete brake assembly. Item sold separately.

# 12" x 2" Electric Brake



CSA approved at 5200#/14.2 SLR  
 CSA approved at 6000#/14.2 SLR

**3600 - 6000 LBS. CAPACITY**



## Electric Brake 6000# (CSA 5200#)

Item	Part No.	Qty/Brk	Description
0	K23-105-00	1	LH Complete Brake Assembly
0	K23-106-00	1	RH Complete Brake Assembly (shown)
1	036-089-05	1	Backing Plate Assembly
2	047-107-05	1	LH Actuating Lever Arm Assembly
2	047-108-05	1	RH Actuating Lever Arm Assembly
3	027-005-00	2	Wire Clip
4	046-009-00	2	Retractor Spring
5	K71-048-00	1	Shoe & Lining Kit Contains: 1 #040-044-00 Primary Shoe & Lining 1 #040-045-00 Secondary Shoe & Lining 2 #049-011-00 Shoe Hold Down Pin #2 2 #046-077-00 Shoe Hold Down Spring & Cup
6	043-004-00	1	Adjuster Assembly
7	046-018-00	1	Adjusting Screw Spring
8	K71-105-00	1	Magnet Kit Contains: 1 #042-144-00 Magnet (white wire) 1 #027-009-00 Magnet Clip 1 #046-080-00 Magnet Spring
9	046-007-00	2	Adjuster Slot Plug
10	046-016-00	1	Wire Grommet
11	005-067-00	1	Anchor Post Washer
*12	006-193-00	5	Nut Washer Assembly

\* Not included with complete brake assembly. Item sold separately.

## Electric Brake 6000# (CSA 6000#)

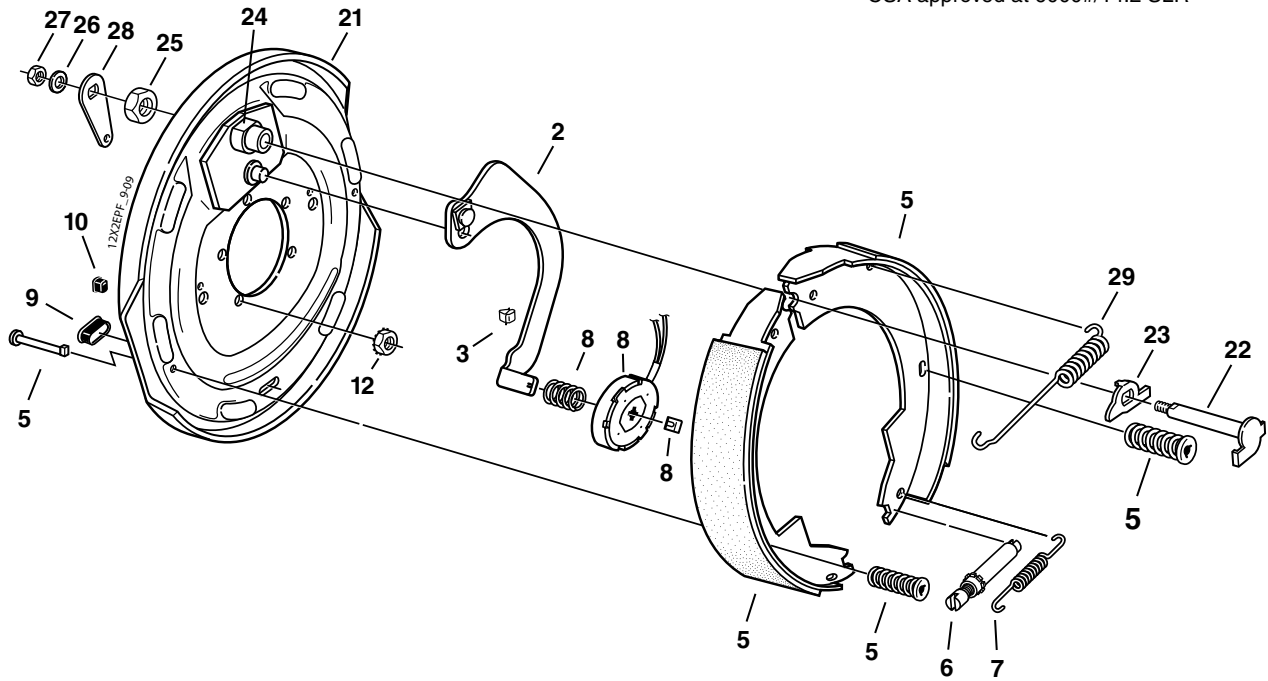
Item	Part No.	Qty/Brk	Description
0	K23-326-00	1	LH Complete Brake Assembly
0	K23-327-00	1	RH Complete Brake Assembly
1	036-089-05	1	Backing Plate Assembly
2	047-107-05	1	LH Actuating Lever Arm Assembly
2	047-108-05	1	RH Actuating Lever Arm Assembly
3	027-005-00	2	Wire Clip
4	046-009-00	2	Retractor Spring
5	K71-127-00	1	Shoe & Lining Kit Contains: 1 #040-215-00 Primary Shoe & Lining 1 #040-216-00 Secondary Shoe & Lining 2 #049-011-00 Shoe Hold Down Pin #2 2 #046-077-00 Shoe Hold Down Spring & Cup
6	043-004-00	1	Adjuster Assembly
7	046-018-00	1	Adjusting Screw Spring
8	K71-105-00	1	Magnet Kit Contains: 1 #042-144-00 Magnet (white wire) 1 #027-009-00 Magnet Clip 1 #046-080-00 Magnet Spring
9	046-007-00	2	Adjuster Slot Plug
10	046-016-00	1	Wire Grommet
11	005-067-00	1	Anchor Post Washer
*12	006-193-00	5	Nut Washer Assembly

# 12" x 2" Electric Brake With Parking Feature



CSA approved at 5200#/14.2 SLR  
CSA approved at 6000#/14.2 SLR

**3600 - 6000 LBS. CAPACITY**



## Electric Parking Brake 6000# (CSA 5200#)

Item	Part No.	Qty/Brk	Description
0	K23-112-00	1	LH Complete Brake Assembly
0	K23-113-00	1	RH Complete Brake Assembly (shown)
2	047-107-05	1	LH Actuating Lever Arm Assembly
2	047-108-05	1	RH Actuating Lever Arm Assembly
3	027-005-00	2	Wire Clip
5	K71-048-00	1	Shoe & Lining Kit Contains: 1 #040-044-00 Primary Shoe & Lining 1 #040-045-00 Secondary Shoe & Lining 2 #049-011-00 Shoe Hold Down Pin #2 2 #046-077-00 Shoe Hold Down Spring & Cup
6	043-004-00	1	Adjuster Assembly
7	046-018-00	1	Adjusting Screw Spring
8	K71-105-00	1	Magnet Kit Contains: 1 #042-144-00 Magnet (white wire) 1 #027-009-00 Magnet Clip 1 #046-080-00 Magnet Spring
9	046-007-00	2	Adjuster Slot Plug
10	046-016-00	1	Wire Grommet
*12	006-193-00	5	Nut Washer Assembly
20	036-089-08	1	LH Backing Plate Assembly Complete (includes #21-28)
20	036-089-09	1	RH Backing Plate Assembly Complete (includes #21-28)
21	036-089-06	1	LH Backing Plate Assembly
21	036-089-07	1	RH Backing Plate Assembly
22	039-025-00	1	LH Pivot Pin & Cam Sub-Assembly
22	039-026-00	1	RH Pivot Pin & Cam Sub-Assembly
23	039-048-00	1	LH Actuating Cam
23	039-049-00	1	RH Actuating Cam
24	038-068-00	1	Anchor Post & Bushing Sub-Assembly
25	006-047-00	1	Anchor Post Locknut
26	005-041-00	1	Washer
27	006-011-00	1	Pivot Pin Locknut
28	047-070-00	1	Parking Brake Lever
29	046-005-00	1	Retractor Spring

## Electric Parking Brake 6000# (CSA 6000#)

Item	Part No.	Qty/Brk	Description
0	K23-328-00	1	LH Complete Brake Assembly
0	K23-329-00	1	RH Complete Brake Assembly
2	047-107-05	1	LH Actuating Lever Arm Assembly
2	047-108-05	1	RH Actuating Lever Arm Assembly
3	027-005-00	2	Wire Clip
5	K71-127-00	1	Shoe & Lining Kit Contains: 1 #040-215-00 Primary Shoe & Lining 1 #040-216-00 Secondary Shoe & Lining 2 #049-011-00 Shoe Hold Down Pin #2 2 #046-077-00 Shoe Hold Down Spring & Cup
6	043-004-00	1	Adjuster Assembly
7	046-018-00	1	Adjusting Screw Spring
8	K71-105-00	1	Magnet Kit Contains: 1 #042-144-00 Magnet (white wire) 1 #027-009-00 Magnet Clip 1 #046-080-00 Magnet Spring
9	046-007-00	2	Adjuster Slot Plug
10	046-016-00	1	Wire Grommet
*12	006-193-00	5	Nut Washer Assembly
20	036-089-08	1	LH Backing Plate Assembly Complete (includes #21-28)
20	036-089-09	1	RH Backing Plate Assembly Complete (includes #21-28)
21	036-089-06	1	LH Backing Plate Assembly
21	036-089-07	1	RH Backing Plate Assembly
22	039-025-00	1	LH Pivot Pin & Cam Sub-Assembly
22	039-026-00	1	RH Pivot Pin & Cam Sub-Assembly
23	039-048-00	1	LH Actuating Cam
23	039-049-00	1	RH Actuating Cam
24	038-068-00	1	Anchor Post & Bushing Sub-Assembly
25	006-047-00	1	Anchor Post Locknut
26	005-041-00	1	Washer
27	006-011-00	1	Pivot Pin Locknut
28	047-070-00	1	Parking Brake Lever
29	046-005-00	1	Retractor Spring

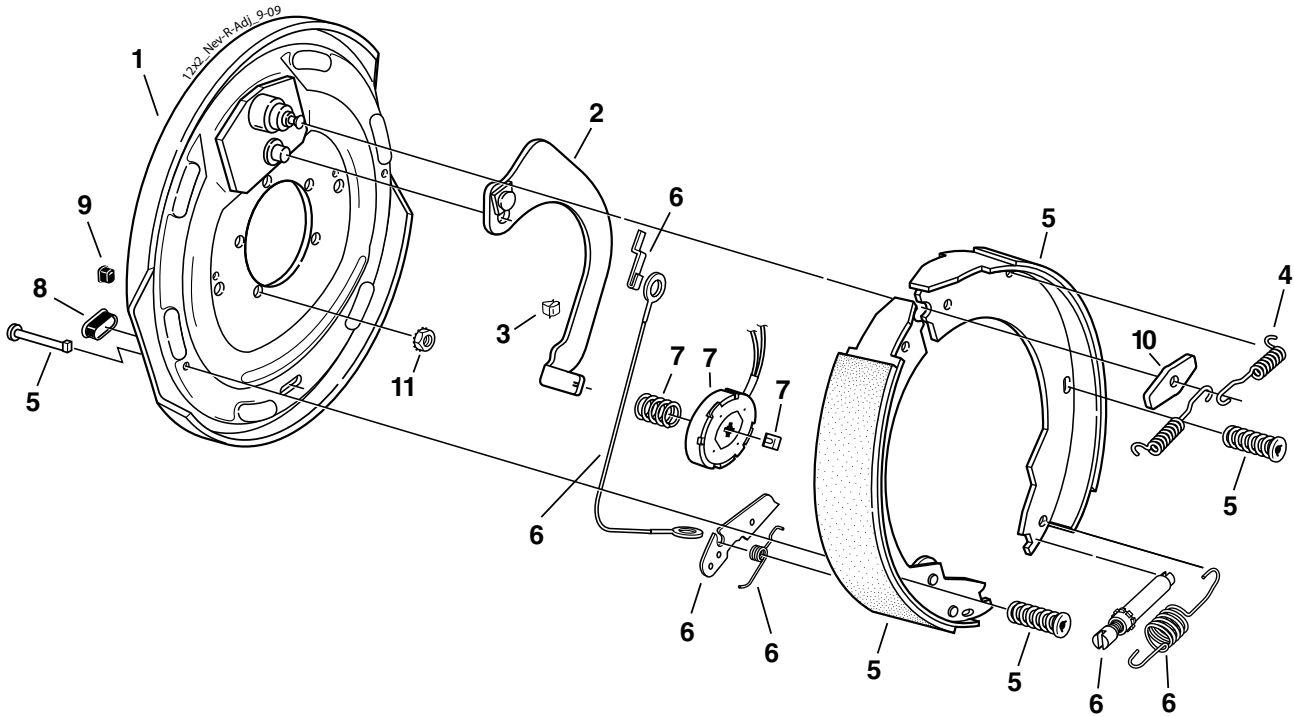
\* Not included with complete brake assembly. Item sold separately.

# 12" x 2" Nev-R-Adjust® Electric Brake



CSA approved at 5200#/14.2 SLR  
CSA approved at 6000#/14.2 SLR

**3600 - 6000 LBS. CAPACITY**



## Electric Brake 6000# (CSA 5200#)

Item	Part No.	Qty/Brk	Description
0	K23-458-00	1	LH Complete Brake Assembly
0	K23-459-00	1	RH Complete Brake Assembly (shown)
1	036-089-05	1	Backing Plate Assembly
2	047-107-05	1	LH Actuating Lever Arm Assembly
2	047-108-05	1	RH Actuating Lever Arm Assembly
3	027-005-00	2	Wire Clip
4	046-009-00	2	Retractor Spring
5	K71-673-00	1	LH Shoe & Lining Kit Contains: 1 #040-044-00 Primary Shoe & Lining 1 #040-045-03 Secondary Shoe & Lining 2 #049-011-00 Shoe Hold Down Pin #2 2 #046-077-00 Shoe Hold Down Spring & Cup
5	K71-674-00	1	RH Shoe & Lining Kit Contains: 1 #040-044-00 Primary Shoe & Lining 1 #040-045-04 Secondary Shoe & Lining 2 #049-011-00 Shoe Hold Down Pin #2 2 #046-077-00 Shoe Hold Down Spring & Cup
6	K71-679-00	1	LH & RH Brake Adjuster Kit Contains: 2 #046-139-00 Adjusting Screw Spring 1 #046-140-00 LH Lever Spring 1 #046-141-00 RH Lever Spring 1 #048-022-00 LH Adjuster Assembly 1 #048-023-00 RH Adjuster Assembly 2 #071-528-00 Adjuster Cable 2 #071-529-00 Hook for Cable 1 #071-530-01 LH Adjusting Lever 1 #071-530-02 RH Adjusting Lever
7	K71-105-00	1	Magnet Kit Contains: 1 #042-144-00 Magnet (white wire) 1 #027-009-00 Magnet Clip 1 #046-080-00 Magnet Spring
8	046-007-00	2	Adjuster Slot Plug
9	046-016-00	1	Wire Grommet
10	005-067-00	1	Anchor Post Washer
*11	006-193-00	5	Nut Washer Assembly

\* Not included with complete brake assembly. Item sold separately.

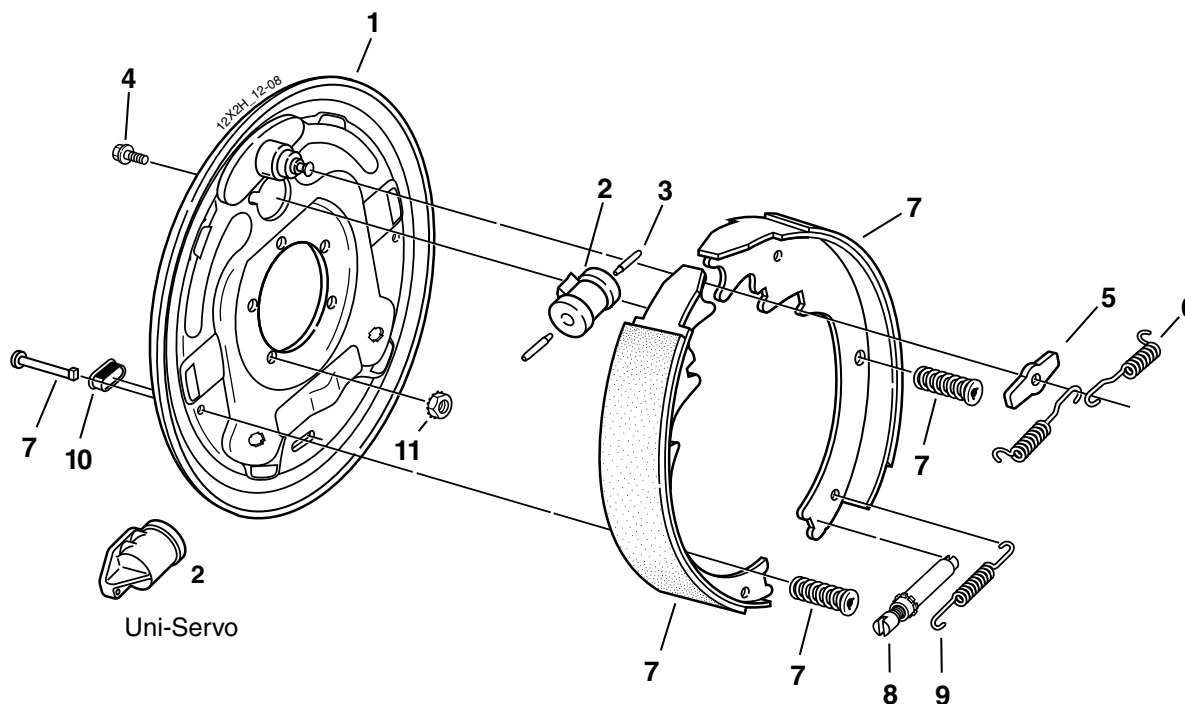
## Electric Brake 6000# (CSA 6000#)

Item	Part No.	Qty/Brk	Description
0	K23-466-00	1	LH Complete Brake Assembly
0	K23-467-00	1	RH Complete Brake Assembly (shown)
1	036-089-05	1	Backing Plate Assembly
2	047-107-05	1	LH Actuating Lever Arm Assembly
2	047-108-05	1	RH Actuating Lever Arm Assembly
3	027-005-00	2	Wire Clip
4	046-009-00	2	Retractor Spring
5	K71-675-00	1	LH Shoe & Lining Kit Contains: 1 #040-215-00 Primary Shoe & Lining 1 #040-216-01 Secondary Shoe & Lining 2 #049-011-00 Shoe Hold Down Pin #2 2 #046-077-00 Shoe Hold Down Spring & Cup
5	K71-676-00	1	RH Shoe & Lining Kit Contains: 1 #040-215-00 Primary Shoe & Lining 1 #040-216-02 Secondary Shoe & Lining 2 #049-011-00 Shoe Hold Down Pin #2 2 #046-077-00 Shoe Hold Down Spring & Cup
6	K71-679-00	1	LH & RH Brake Adjuster Kit Contains: 2 #046-139-00 Adjusting Screw Spring 1 #046-140-00 LH Lever Spring 1 #046-141-00 RH Lever Spring 1 #048-022-00 LH Adjuster Assembly 1 #048-023-00 RH Adjuster Assembly 2 #071-528-00 Adjuster Cable 2 #071-529-00 Hook for Cable 1 #071-530-01 LH Adjusting Lever 1 #071-530-02 RH Adjusting Lever
7	K71-105-00	1	Magnet Kit Contains: 1 #042-144-00 Magnet (white wire) 1 #027-009-00 Magnet Clip 1 #046-080-00 Magnet Spring
8	046-007-00	2	Adjuster Slot Plug
9	046-016-00	1	Wire Grommet
10	005-067-00	1	Anchor Post Washer
*11	006-193-00	5	Nut Washer Assembly



# 12" x 2" Hydraulic Brake

**3600 - 6000 LBS. CAPACITY**



**Note:** Uni-Servo brakes to be used with surge actuator

## Hydraulic Brake 5200#

Item	Part No.	Qty/Brk	Description
0	K23-322-00	1	LH Complete Brake Assembly-DS
0	K23-323-00	1	RH Complete Brake Assembly-DS (shown)
0	K23-324-00	1	LH Complete Brake Assembly-US
0	K23-325-00	1	RH Complete Brake Assembly-US (shown)
1	036-093-03	1	Backing Plate Assembly
2	054-062-00	1	LH Brake Cylinder Duo-Servo
2	054-063-00	1	RH Brake Cylinder Duo-Servo
2	054-064-00	1	LH Brake Cylinder Uni-Servo
2	054-065-00	1	RH Brake Cylinder Uni-Servo
3	054-060-00	1 or 2	Cylinder Push Rod US (1) DS (2)
4	087-001-00	2	Sems (screw & washer assembly)
5	005-113-00	1	Anchor Post Washer
6	046-101-00	2	Retractor Spring
7	K71-268-00	1	Shoe & Lining Kit Contains: 1 #040-204-00 Primary Shoe & Lining 1 #040-206-00 Secondary Shoe & Lining 2 #046-077-00 Shoe Hold Down Spring & Cup 2 #049-012-00 Shoe Hold Down Pin #4
8	043-029-00	1	Adjuster Assembly
9	046-102-00	1	Adjusting Screw Spring
10	046-007-00	1	Adjuster Slot Plug
*11	006-193-00	5	Nut Washer Assembly
ns	054-089-00	1	Bleeder Screw (included with item #2)

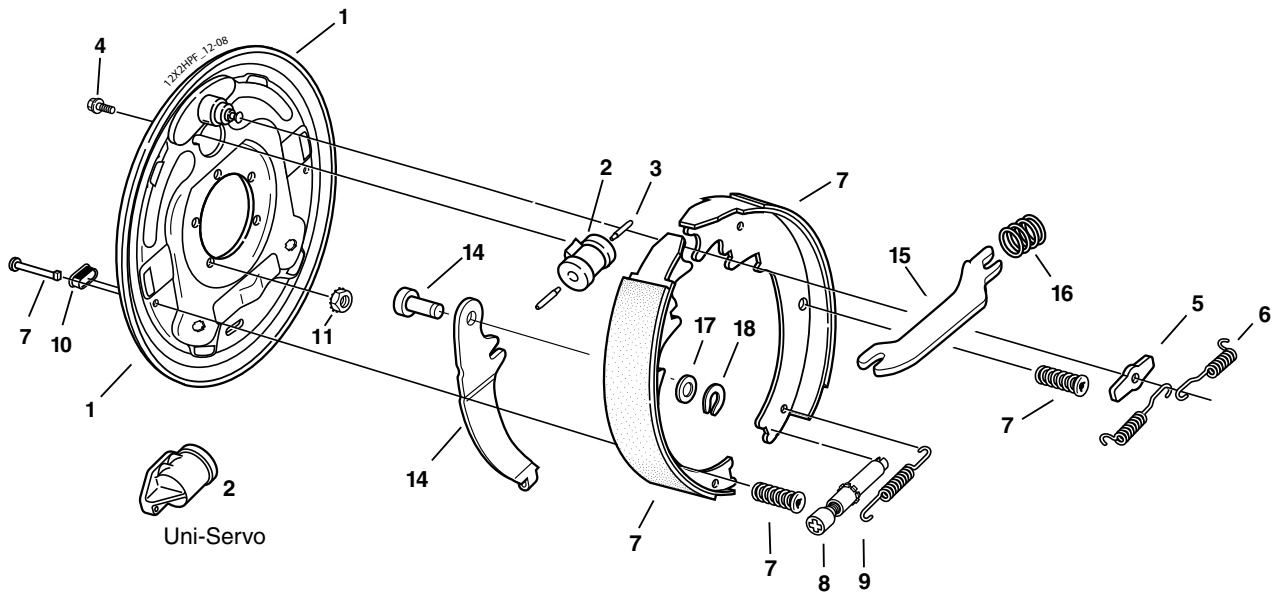
ns - not shown

\* Not included with complete brake assembly. Item sold separately.

# 12" x 2" Hydraulic Brake With Parking Feature



**3600 - 6000 LBS. CAPACITY**



**Note:** Uni-Servo brakes to be used with surge actuator

## Hydraulic Parking Brake 5200#

Item	Part No.	Qty/Brk	Description
0	K23-318-00	1	LH Complete Brake Assembly-DS
0	K23-319-00	1	RH Complete Brake Assembly-DS (shown)
0	K23-320-00	1	LH Complete Brake Assembly-US
0	K23-321-00	1	RH Complete Brake Assembly-US (shown)
1	036-093-19	1	LH Backing Plate Assembly
1	036-093-20	1	RH Backing Plate Assembly
2	054-062-00	1	LH Brake Cylinder Duo-Servo
2	054-063-00	1	RH Brake Cylinder Duo-Servo
2	054-064-00	1	LH Brake Cylinder Uni-Servo
2	054-065-00	1	RH Brake Cylinder Uni-Servo
3	054-060-00	1 or 2	Cylinder Push Rod US (1) DS (2)
4	087-001-00	2	Sems (screw & washer assembly)
5	005-113-00	1	Anchor Post Washer
6	046-101-00		Retractor Spring
7	K71-268-00	1	Shoe & Lining Kit Contains: 1 #040-204-00 Primary Shoe & Lining 1 #040-206-00 Secondary Shoe & Lining 2 #046-077-00 Shoe Hold Down Spring & Cup 2 #049-012-00 Shoe Hold Down Pin #4
8	043-029-00	1	Adjuster Assembly
9	046-102-00	1	Adjusting Screw Spring
10	046-007-00	1	Adjuster Slot Plug
*11	006-193-00	5	Nut Washer Assembly
14	047-110-01	1	LH Parking Lever and Pin
14	047-111-01	1	RH parking Lever and Pin
15	047-109-00	1	Parking Strut
16	046-103-00	1	Parking Strut Spring
17	005-112-00	1	Spring Tension Washer
18	069-055-00	1	Retainer
ns	054-089-00	1	Bleeder Screw (included with item #2)
*ns	071-515-00	1	Park Brake Cable

ns - not shown

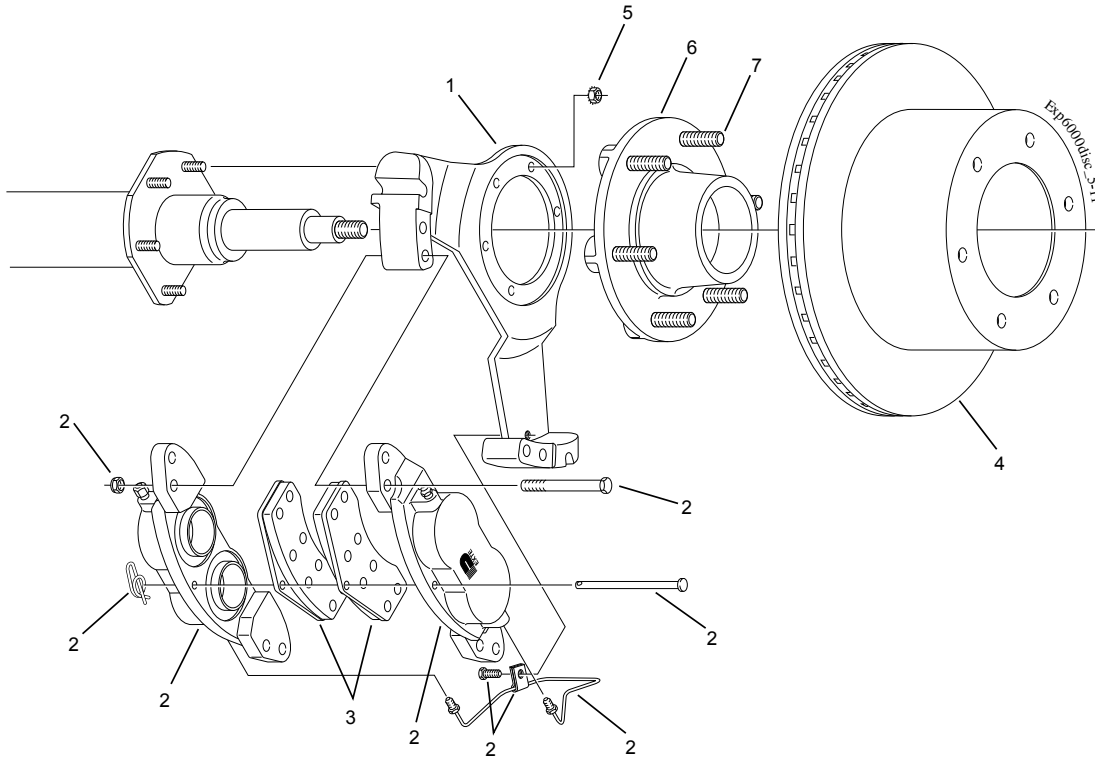
\* Not included with complete brake assembly. Item sold separately.



# Disc Brake for 6,000 Lb. Axles



CSA approved at 6000#/14.3 SLR



## Disc Brake 6000#

Item	Part No.	Qty/Brk	Description
1	090-005-01	1	LH Anchor Yoke
1	090-005-02	1	RH Anchor Yoke (shown)
2	K71-636-00	1	Caliper Assembly Kit for LH or RH Contains:
	4 006-045-00		Caliper Mounting Nut
	4 007-254-00		Caliper Mounting Bolt
	1 019-019-00		Cotter Ring
	1 027-060-00		Tube Clamp
	1 054-092-00		Bleeder Screw
	1 054-094-00		Adapter Fitting
	1 056-038-00		Pad Retaining Pin
	1 071-513-00		Cross Over Hydraulic Line (yokes without notch)
	1 071-517-00		Cross Over Hydraulic Line (yokes with notch)
	1 087-002-00		Hex Bolt
	2 089-005-02		Assembled Caliper Half
3	K71-629-00	1	Brake Pad Kit (axle set)
4	K71-637-00	1	Rotor Kit
5	006-193-00	5	3/8" Brake Mounting Nut-Washer Assembly

## Disc Brake Hubs & Studs

Item	Part No.	Qty/Brk	Description
6	008-403-05	1	Grease 1/2" Studs 6 on 5.50
7	007-262-00	6	1/2-20 x 2.50" Press-in Stud

## Disc Brake 6000# With 42MM Nev-R-Lube®

Item	Part No.	Qty/Brk	Description
1	090-006-01	1	LH Anchor Yoke
1	090-006-02	1	RH Anchor Yoke
2	K71-636-00	1	Caliper Assembly Kit for LH or RH Contains:
	4 006-045-00		Caliper Mounting Nut
	4 007-254-00		Caliper Mounting Bolt
	1 019-019-00		Cotter Ring
	1 027-060-00		Tube Clamp
	1 054-092-00		Bleeder Screw
	1 054-094-00		Adapter Fitting
	1 056-038-00		Pad Retaining Pin
	1 071-513-00		Cross Over Hydraulic Line (yokes without notch)
	1 071-517-00		Cross Over Hydraulic Line (yokes with notch)
	1 087-002-00		Hex Bolt
	2 089-005-02		Assembled Caliper Half
3	K71-629-00	1	Brake Pad Kit (axle set)
4	K71-637-00	1	Rotor Kit
5	006-193-00	5	3/8" Brake Mounting Nut-Washer Assembly

## Nev-R-Lube® Disc Brake Hubs

Item	Part No.	Qty/Brk	Description
6	008-404-80	1	1/2" Studs, 42mm 6 on 5.50
7	007-262-00	6	1/2-20 x 2.50" Press-in Stud