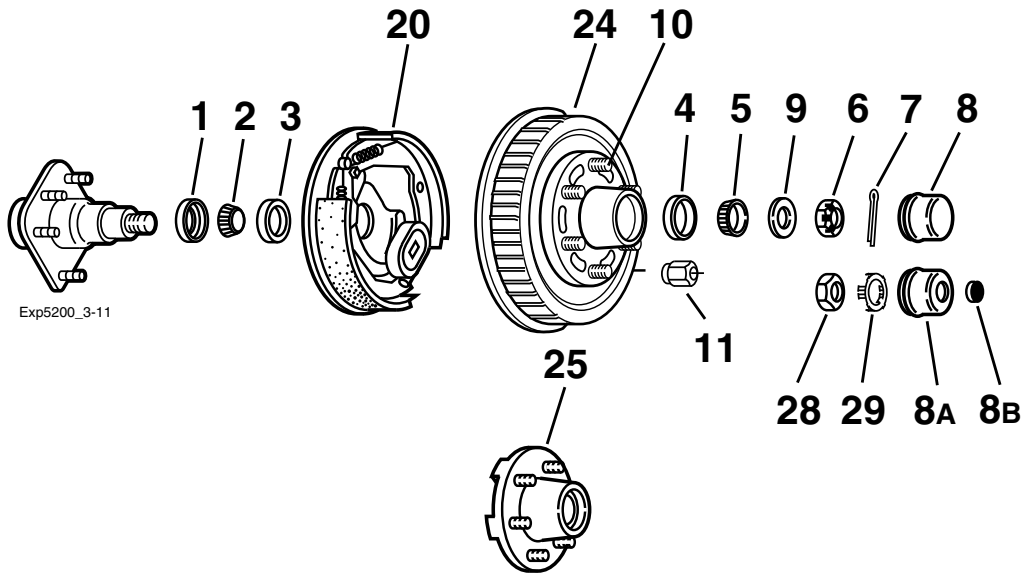


# 655 Hub Group



## Grease Lube Parts

Item	Part No.	Description
1	010-036-00	Grease Seal, E-Z Lube® Seal
1	010-063-00	Oil Seal
1	010-054-00	2.250" Grease Seal
2	031-030-02	25580 Inner Bearing cone
3	031-030-01	25520 Inner Bearing Cup
4	031-032-01	LM67010 Outer Bearing Cup (for 5200#)
5	031-032-02	LM67048 Outer Bearing Cone (for 5200#)
4	031-029-01	15245 Outer Bearing Cup (for 6000#)
5	031-029-02	15123 Outer Bearing Cone (for 6000#)
6	006-176-00	Spindle Nut
7	019-002-00	Cotter Pin (not used with E-Z Lube®)
8	021-001-00	Grease Cap
8A	021-042-01	Grease Cap for E-Z Lube®
8B	085-001-00	Rubber Plug for E-Z Lube®
9	005-023-00	Spindle Washer
28	006-191-00	Special Jam Nut for E-Z Lube® (after 2002)
29	006-190-00	Spindle Nut Retainer for E-Z Lube® (after 2002)

## 12" x 2" Brakes

Item	Part No.	Description
20	K23-105-00/K23-106-00	LH/RH Electric
ns	K23-112-00/K23-113-00	LH/RH Electric w/park
ns	K23-326-00/K23-327-00	LH/RH Electric 6K CSA
ns	K23-328-00/K23-329-00	LH/RH Electric 6K CSA w/park
ns	K23-324-00/K23-325-00	LH/RH Hydraulic Uni-servo
ns	K23-320-00/K23-321-00	LH/RH Hydraulic Uni-servo w/park
ns	K23-322-00/K23-323-00	LH/RH Hydraulic Duo-servo
ns	K23-318-00/K23-319-00	LH/RH Hydraulic Duo-servo w/park
ns	K23-342-00/K23-343-00	LH/RH Hydraulic Free Backing
ns	K23-340-00/K23-341-00	LH/RH Hydraulic Free Backing w/park
ns	K23-342-01/K23-343-01	LH/RH Hydraulic FB Corrosion Resistant
ns	K23-340-01/K23-341-01	LH/RH Hydraulic FB Corrosion Resistant w/park
ns	K23-458-00/K23-459-00	LH/RH Electric Nev-R-Adjust®
ns	K23-466-00/K23-467-00	LH/RH Electric 6K CSA Nev-R-Adjust®

ns - not shown

Note: Spindle is not available for resale.

## Hubs

Item	Part No.	Description	Bolt Circle
<b>Hubs and Drums</b>			
24	008-201-05	½" Stud for 5200#	6 on 5.50
24	008-201-09	½" Stud 15123 bearing for 6000#	6 on 5.50
<b>Plain Hubs</b>			
25	008-213-05	½" Stud for 5200#	6 on 5.50
25	008-213-09	½" Stud 15123 bearing for 6000#	6 on 5.50

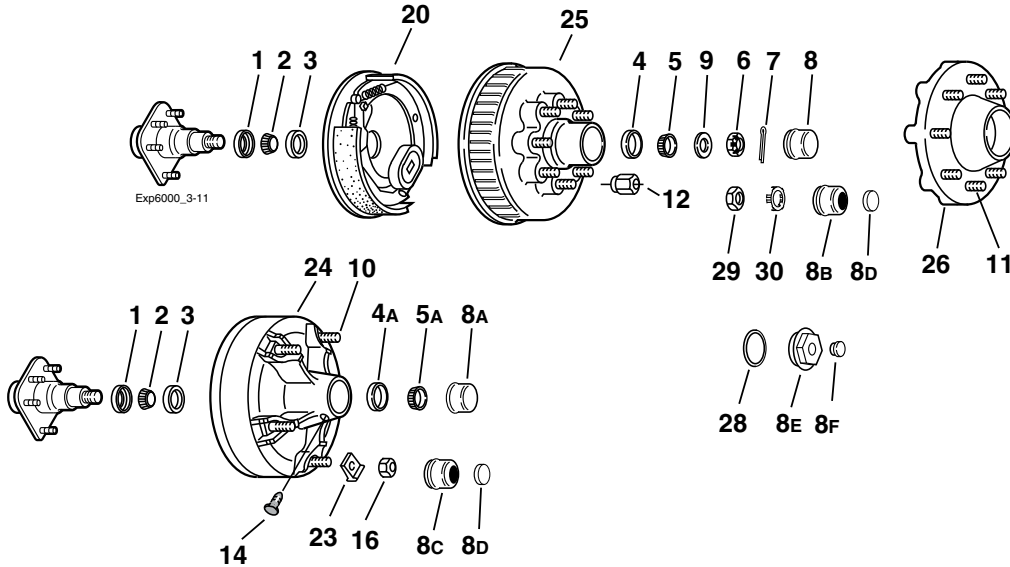
## Studs & Wheel Nuts

Item	Part No.	Description
10	007-122-00	½-20 x 1.84 Long Press-in Stud*
10	007-262-00	½-20 x 2.50 Long Press-in Stud* (hub-drum after 1/04)
11	006-080-00	½-20 60° Cone Nut

\* Stud length measured under head to end of stud.

8 on 6.5 hubs are available on these axles.  
See section in 5500-7000 lbs. capacity.

# 865 and Demountable Hub Group



## Grease Lube Parts

Item	Part No.	Description
1	010-054-00	Grease Seal 2.25"
1	010-036-00	E-Z Lube® Seal 2.25"
2	031-030-02	25580 Inner Bearing Cone
3	031-030-01	25520 Inner Bearing Cup
4	031-017-01	14276 Outer Bearing Cup - 865 Hub
4A	031-029-01	15245 Outer Bearing Cup - Demountable
5	031-017-02	14125A Outer Bearing Cone - 865 Hub
5A	031-029-02	15123 Outer Bearing Cone - Demountable
6	006-176-00	Spindle Nut
7	019-002-00	Cotter Pin (not used with E-Z Lube®)
8	021-039-00	Grease Cap - 865 Hub
8A	021-001-00	Grease Cap - Demountable
8B	021-043-01	Grease Cap for E-Z Lube® - 865 Hub
8B	021-043-02	Grease Cap E-Z Lube® Chrome Option - 865 Hub
8C	021-042-01	Grease Cap for E-Z Lube® - Demountable
8C	021-042-02	Grease Cap for E-Z Lube® Chrome Option - Dem.
8D	085-001-00	E-Z Lube® Rubber Plug
9	005-057-00	Spindle Washer
16	006-005-00	1/16-18 Nut for Rim Clamp
23	015-002-00	Rim Clamp
29	006-191-00	Special Jam Nut for E-Z Lube® (after 2002)
30	006-190-00	Spindle Nut Retainer for E-Z Lube® (after 2002)

## Oil Lube Parts

Item	Part No.	Description
1	010-063-00	Oil Seal 2.25"
2	031-030-02	25580 Inner Bearing cone
3	031-030-01	25520 Inner Bearing Cup
4	031-017-01	14276 Outer Bearing Cup - 865 Hub
4	031-029-01	15245 Outer Bearing Cup - Demountable
5	031-029-02	15123 Outer Bearing Cone
5	031-017-02	14125A Outer Bearing Cone
6	006-176-00	Spindle Nut
7	019-002-00	Cotter Pin
8E	021-035-00	Oil Cap - 865 Hub
ns	021-040-00	Oil Cap - Demountable
8F	046-032-00	Oil Cap Plug
9	005-057-00	Spindle Washer
14	046-052-00	Oil Filler Plug - 865 and Demountable
ns	046-032-00	Oil Cap Plug
16	006-005-00	1/16-18 Nut for Rim Clamp
23	015-002-00	Rim Clamp
28	010-045-00	865 'O' Ring
ns	010-059-00	Demountable 'O' Ring

Note: Spindle is not available for resale.

6 on 5.5 hubs are available on these axles.

See section in 4000-6000 lbs. capacity.

## Hubs

Item	Part No.	Description	Bolt Circle
<b>Hubs/Drums</b>			
24	008-174-05	Grease 1/16" Stud	Demountable
24	008-174-06	Oil 1/16" Stud	Demountable
25	008-219-04	Grease 1/2" Stud	8 on 6.50
25	008-219-13	Grease 1/16" Stud	8 on 6.50
25	008-219-18	Grease 5/8" Stud	8 on 6.50
25	008-219-09	Oil 1/2" Stud	8 on 6.50
25	008-219-20	Oil 1/16" Stud	8 on 6.50
25	008-219-26	Oil 5/8" Stud	8 on 6.50
<b>Plain Hubs</b>			
26	008-231-09	Grease 1/2" Stud	8 on 6.50
26	008-231-18	Grease 1/16" Stud	8 on 6.50
26	008-231-20	Grease 5/8" Stud	8 on 6.50
26	008-231-16	Oil 1/2" Stud	8 on 6.50

## Brakes

Item	Part No.	Description
20	K23-105-00/K23-106-00	LH/RH Electric 6K
ns	K23-112-00/K23-113-00	LH/RH Electric w/park
ns	K23-326-00/K23-327-00	LH/RH Electric 6K CSA
ns	K23-328-00/K23-329-00	LH/RH Electric 6K CSA w/park
ns	K23-180-00/K23-181-00	LH/RH Electric 7K
ns	K23-338-00/K23-339-00	LH/RH Hydraulic Uni-servo 7K
ns	K23-334-00/K23-335-00	LH/RH Hydraulic Uni-servo 7K w/park
ns	K23-336-00/K23-337-00	LH/RH Hydraulic Duo-servo 7K
ns	K23-332-00/K23-333-00	LH/RH Hydraulic Duo-servo 7K w/park
ns	K23-342-00/K23-343-00	LH/RH Hydraulic Uni-servo 7K FB
ns	K23-340-00/K23-341-00	LH/RH Hydraulic Uni-servo 7K FB w/park
ns	K23-342-01/K23-343-01	LH/RH Hydraulic Uni-servo 7K FB
ns	K23-340-01/K23-341-01	LH/RH Hydraulic Uni-servo 7K FB w/park
ns	K23-458-00/K23-459-00	LH/RH Electric Nev-R-Adjust®
ns	K23-466-00/K23-467-00	LH/RH Electric 6K CSA Nev-R-Adjust®

## Studs & Wheel Nuts

Item	Part No.	Description
10	025-011-00	1/16-18 Stud - UTG
11	007-122-00	1/2-20 x 1.84 Long Press-in Stud* (hubs before 1/04)
11	007-262-00	1/2-20 x 2.50 Long Press-in Stud* (hubs after 1/04)
12	006-080-00	1/2-20 60° Cone Nut
ns	007-132-00	1/16-18 Press-in Stud
ns	006-053-00	1/16-18 60° Cone Nut
ns	007-232-00	5/8-18 Press-in Stud
ns	006-109-00	5/8-18 60° Cone Nut

ns - not shown

\* Stud length measured under head to end of stud.