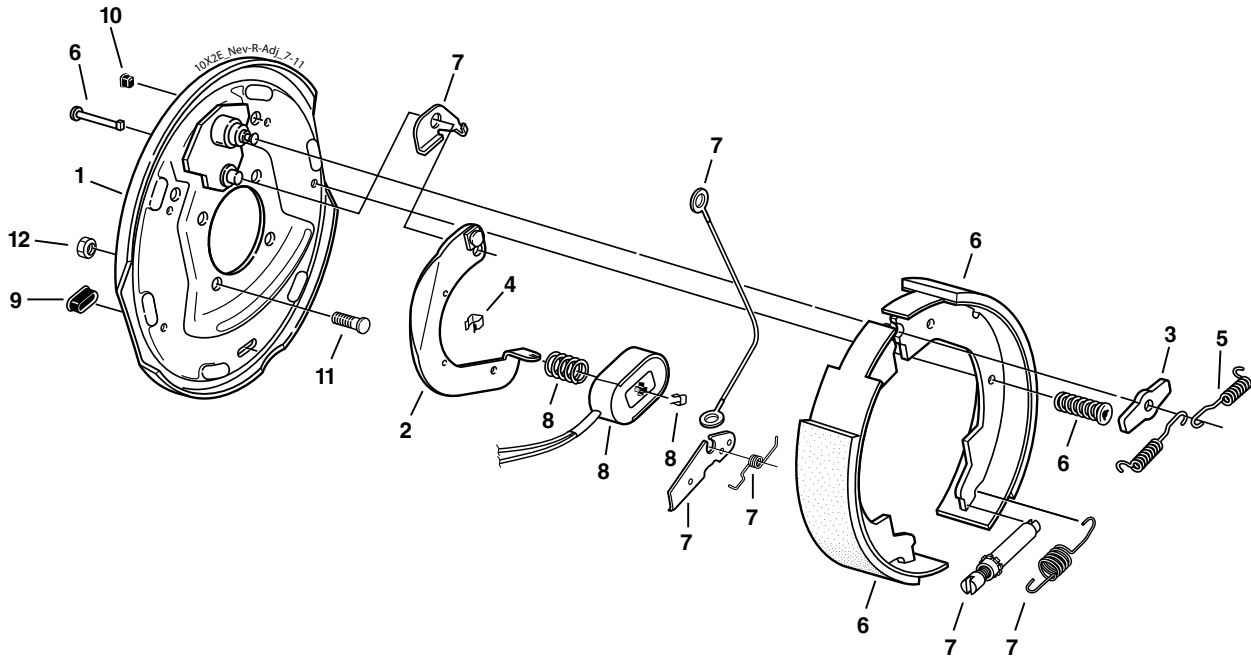


10" x 2¼" Nev-R-Adjust® Electric Brake



CSA approved at 3500#/13.3 SLR

2300 - 3500 LBS. CAPACITY



Electric Brake

Item	Part No.	Qty/Brk	Description
0	K23-468-00	1	LH Complete Brake Assembly (shown)
0	K23-469-00	1	RH Complete Brake Assembly
1	036-019-10	1	Backing Plate Assembly
2	047-019-10	1	LH Actuating Lever Arm
2	047-020-10	1	RH Actuating Lever Arm
3	005-067-00	1	Washer
4	027-005-00	2	Wire Clip
5	046-009-00	2	Retractor Spring
6	K71-681-00	1	LH Shoe & Lining Kit Contains: 1 #040-367-00 Primary Shoe & Lining 1 #040-368-01 Secondary Shoe & Lining 2 #049-002-00 Shoe Hold Down Pin #8 2 #046-077-00 Shoe Hold Down Spring & Cup
6	K71-682-00	1	RH Shoe & Lining Kit Contains: 1 #040-367-00 Primary Shoe & Lining 1 #040-368-02 Secondary Shoe & Lining 2 #049-002-00 Shoe Hold Down Pin #8 2 #046-077-00 Shoe Hold Down Spring & Cup
7	K71-703-00	1	LH & RH Brake Adjuster Kit Contains: 2 #046-139-00 Adjusting Screw Spring 1 #046-140-00 LH Lever Spring 1 #046-141-00 RH Lever Spring 1 #048-022-00 LH Adjuster Assembly 1 #048-023-00 RH Adjuster Assembly 2 #071-529-00 Hook for Cable 1 #071-532-01 LH Adjusting Lever 1 #071-532-02 RH Adjusting Lever 2 #071-533-00 Adjuster Cable 1 #071-655-01 LH Cable Lever 1 #071-655-02 RH Cable Lever 2 #071-656-00 Adjuster Cable
8	K71-104-00	1	Magnet Kit Contains: 1 #042-140-00 Magnet (green wire) 1 #027-009-00 Magnet Clip 1 #046-080-00 Magnet Spring
9	046-007-00	2	Adjuster Slot Plug
10	046-016-00	1	Wire Grommet
11	007-041-00	4	Brake Mounting Bolt - Press-in
*12	006-017-00	4	Brake Mounting Nut

* Not included with complete brake assembly. Item sold separately.