

LED Work Lights

Ultrabright LED work lights for heavy duty applications. Multiple-diode designs coupled with engineered lens optics provide bright, even light output while conserving power. Diodes produce little heat and last up to 100,000 hours—no bulbs to replace. Durable die cast aluminum housing with black powder coat finish; less than 2.5" inches deep, ideal for tight applications. Tough polycarbonate lens—same material as bullet proof glass. Operating voltage 12-36VDC, appropriate for use with 12VDC and 24VDC systems. Hard wired design includes both lead and ground wires for mounting to all surfaces. Insulated 10-inch leads for quick and easy connection. Corrosion proof stainless steel mounting bracket and hardware included.

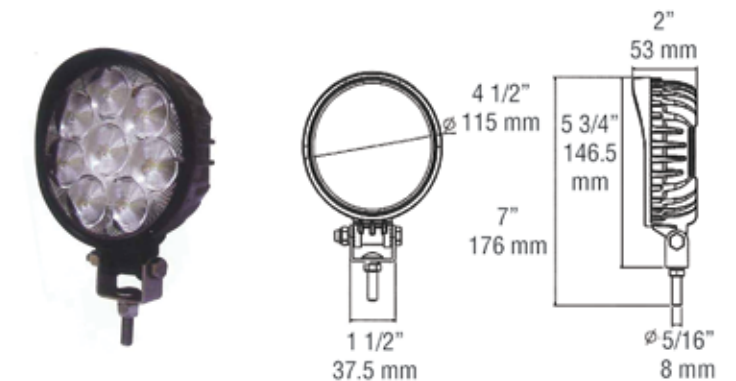
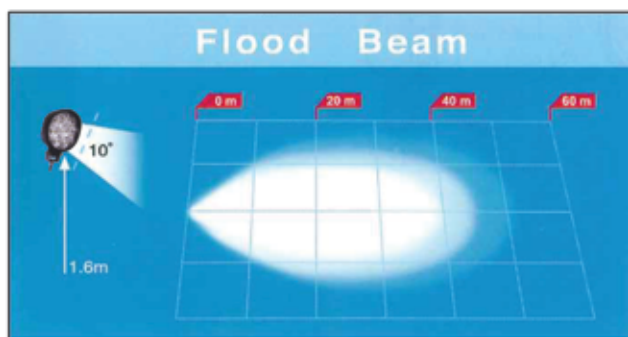
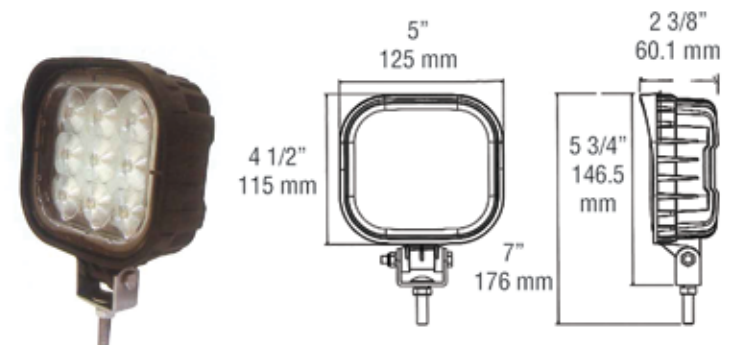
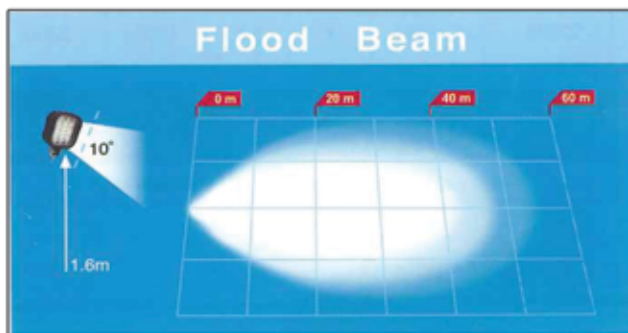
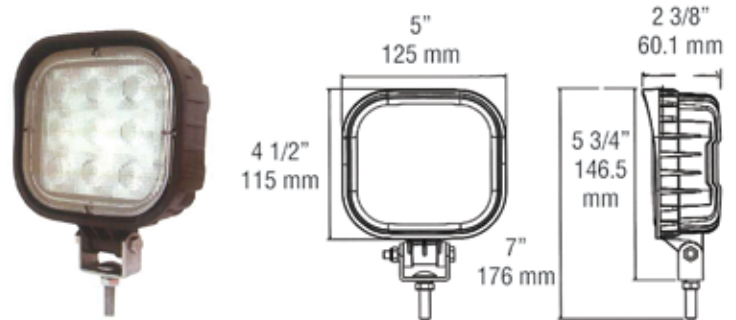
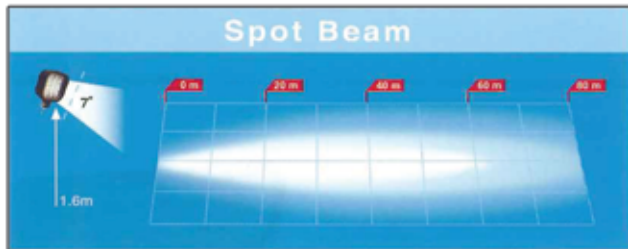


Specifications

Model No.	Description	Diodes	Amp Draw 13.5 / 28VDC	Pack	Qty.
TLL-46FB	Square hsg, flood beam	9	1.50A / 0.73A	Bulk	3
TLL-46TB	Square hsg, trapezoid beam	9	1.50A / 0.73A	Bulk	3
TLL-45FB	Round hsg, flood beam	8	1.38A / 0.65A	Bulk	3



- LED's are Brighter than Conventional Lights
- No Bulbs to Replace—Ever!
- Use 90% Less Energy
- Safe, Dependable Service
- 100% Maintenance Free



Specifications

Temperature Range: -22°F to 122°F
-30°C to 50°C

Model No.	Description	Diodes	Amp Draw 13.5 / 28VDC	Lumens	HV CD	Weight
TLL-46TB	Square hsg, trapezoid beam	9	1.50A / 0.73A	1350	3600	1.8 lbs
TLL-46FB	Square hsg, flood beam	9	1.50A / 0.73A	1350	3000	1.8 lbs
TLL-45FB	Round hsg, flood beam	8	1.38A / 0.65A	1200	2300	1.4 lbs