

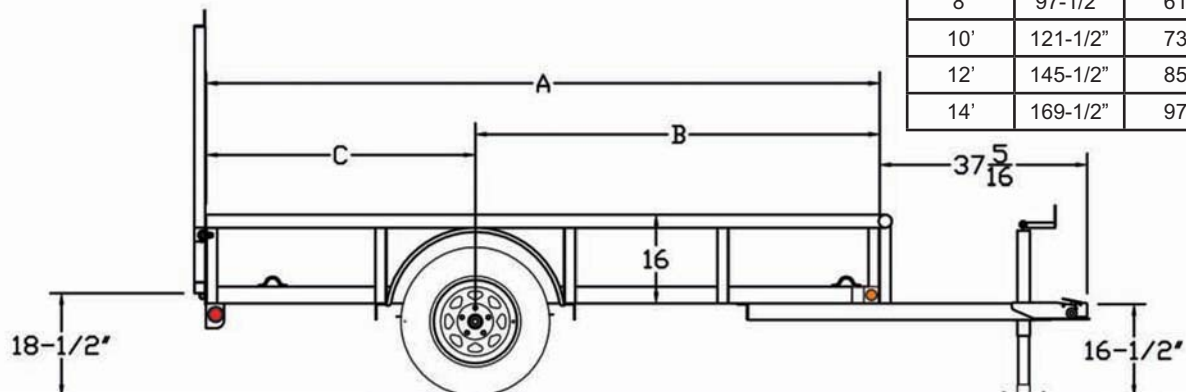
30SA / 35SA Single Axle Utility

| | | | |
|----------------------|--|----------------------|---|
| G.V.W.R. | 2,995# | AXLE | 3,500# EZ Lube w/Brake Flanges |
| G.A.W.R. | 2,995# | SUSPENSION | Multi-Leaf Spring |
| COUPLER | 2" A-Frame | TIRE | ST205/75-15 Load Range C |
| SAFETY CHAINS | 1/4" Grd. 30 w/Safety Latch Hook (2 each) | WHEEL | 15 x 5 White Spoke 5 Bolt |
| JACK | 2K Top Wind (Bolted On) | FLOOR | 2" Pine |
| TONGUE | 3" Channel | LIGHTS | D.O.T. Stop, Tail, Turn & Clearance |
| TOP RAIL | 30SA - 2" Pipe/35SA - 2-3/8" Pipe | ELEC. PLUG | 4-Way Flat w/Loom |
| FRAME | 3" x 2" x 3/16" Angle | FINISH (Prep) | Steel is Cleaned to Ensure a Professional Smooth Finish. |
| CROSSMEMBERS | 3" x 2" x 3/16" Angle | FINISH | Superior Quality Finish is Applied for a Highly Decorative and Protective Finish. |
| UPRIGHTS | 15" Tall - 1/2" Angle (30SA) and 2" Angle (35SA) | | |
| FENDERS | 9" x 32" Rolled Formed w/Back | | |

Standard Features

- Safety Chains Attached w/Cold Rolled Eyelets
- Sand Foot on Jack
- Lower Jack Support Plate
- 3,500# Idler EZ Lube Axle w/Flanges for Easy Brake Addition
- Pipe Top Rail
- 4 Tie Down Loops
- Grommet Mount Sealed Lighting

Shown with Optional Rampgate



| Dimensions | | | |
|------------|----------|-----|---------|
| Length | A | B | C |
| 8' | 97-1/2" | 61" | 36-1/2" |
| 10' | 121-1/2" | 73" | 48-1/2" |
| 12' | 145-1/2" | 85" | 60-1/2" |
| 14' | 169-1/2" | 97" | 72-1/2" |

| MODEL# | WEIGHT | DESCRIPTION |
|---------|--------|-----------------------|
| 30SA-08 | 690# | 60" x 8' Single Axle |
| 30SA-10 | 710# | 60" x 10' Single Axle |
| 30SA-12 | 910# | 60" x 12' Single Axle |
| 30SA-14 | 990# | 60" x 14' Single Axle |
| 35SA-10 | 910# | 77" x 10' Single Axle |
| 35SA-12 | 1,020# | 77" x 12' Single Axle |
| 35SA-14 | 1,110# | 77" x 14' Single Axle |

OPTIONS

| | |
|---|-------------------------------------|
| 2" Forged Coupler | 4' Rampgate (5W) |
| 2K Fold-Up Jack | 4' Rampgate (6.5W) |
| Set Back Jack | Gas Spring Assist Option - Rampgate |
| Electric Brakes w/Complete Break-Away Kit | Car Hauler Style |
| Spare Tire Mount (Side) | Tie Down Pockets (Each) |
| Spare Tire (ST205/75-15 LR-C) | 4' Slide In Ramps (35SA Only) |
| LED Lighting | |