

# 14TL

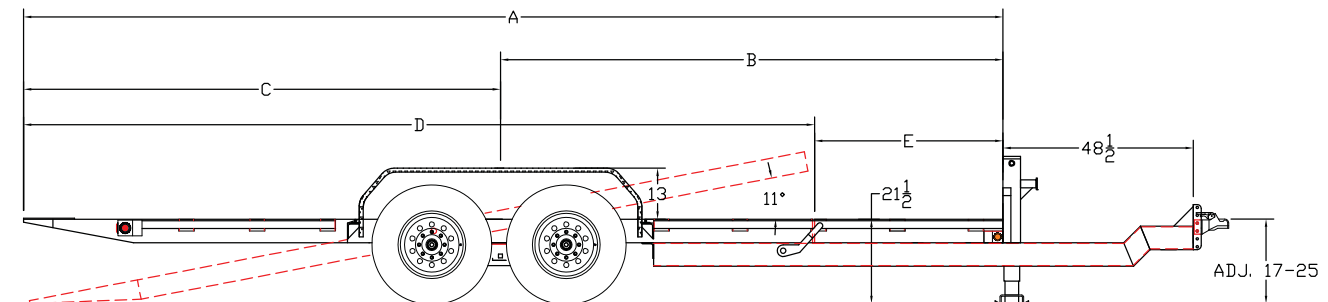
## Pro Series Tilt Bed Equipment

<b>G.V.W.R.</b>	14,000#	<b>AXLES</b>	Two 7,000#, 4" Drop EZ Lube w/Electric Brakes
<b>G.A.W.R. (Ea. Axle)</b>	7,000#	<b>SUSPENSION</b>	Multi-Leaf Slipper Spring w/Equalizer
<b>COUPLER</b>	Adjustable 14K Cast 2-5/16"	<b>TIRE</b>	ST235/85 R-16 Load Range E
<b>SAFETY CHAINS</b>	3/8" Grd. 70 w/Safety Latch Hook (2 each)	<b>WHEEL</b>	16 x 6 White Spoke 8 Bolt
<b>JACK</b>	12K Drop Leg Jack Against Bed - Side Wind	<b>FLOOR</b>	2" Pine
<b>TONGUE</b>	6" Channel Fold Back	<b>LIGHTS</b>	D.O.T. Stop, Tail, Turn & Clearance
<b>TOP RAIL</b>	None	<b>ELEC. PLUG</b>	7-Way RV
<b>FRAME</b>	6" Channel	<b>FINISH (Prep)</b>	Steel is Cleaned to Ensure a Professional Smooth Finish.
<b>CROSSMEMBERS</b>	3" Channel, 3" Sq. Tube	<b>FINISH</b>	Superior Quality Finish is Applied for a Highly Decorative and Protective Finish.
<b>FENDERS</b>	9" x 72" Double Square Brake Diamond Plate (Bolted On)		

### Standard Features

- Adjustable Forged Coupler
- Fold Back Tongue w/Raised Coupler
- Safety Chains Attached w/Cold Rolled Eyelets
- 12K Side Wind Drop Leg Jack
- Unique Two Piece Main Frame
- 102" Wide Overall, 83" Width Between Fenders
- Tilt Platform is 75" Wide
- Hydraulic Dampening System
- Reflective Marker Tape
- Floor Secured w/Torx Screws
- Cambered 4" Drop EZ Lube Axles w/Electric Brake on Each
- Complete Break-A-Way System w/Charger
- Spare Tire Mount
- 1/4" Diamond Plate Knife Edge
- Grommet Mount Sealed Lighting

Dimensions					
Length	A	B	C	D	E
20'	249-1/2"	129"	112-1/2"	201"	48"
22'	273-1/2"	153"	112-1/2"	201"	72"



MODEL#	WEIGHT	DESCRIPTION
14TL-20	3,480#	83" x 20' (16' + 4') Tilt Trailer
14TL-22	3,520#	83" x 22' (16' + 6') Tilt Trailer

### OPTIONS

Adjustable Pintle in Channel	Tire Upgrade (ST235/80 R-16 LR-G)
Hydraulic Surge Brakes 2 Axles	Spare Tire Upgrade (ST235/80 R-16 LR-G)
Spare Tire (ST235 R-16 LR-E)	LED Lighting